

INSTALLATION INSTRUCTIONS FOR N7781-248-L

For Wall Mount Fixture (New. 02/11/2019)

WARNING! SHUT POWER OFF AT FUSE OR CIRCUIT BREAKER.

AVERTISSEMENT ! COUPER LE COURANT AU NIVEAU DES FUSIBLES OU DO DISJONCTEUR.

PREPARATION (Fig.1)

1. Shut off power at the fuse box or circuit breaker box and remove the old fixture including the mounting hardware.
2. Carefully unpack your new fixture and lay out all the parts in a clean area. Take care not to misplace any small parts necessary for installation.
3. Place decorative plate (R) under back plate (C), and secure by using screws (Q).
4. Secure mounting plate (A) to the outlet box using junction box screws (B) (**Size: 8-32*0.5"L**). The side of the mounting plate marked "GND" must face out.
5. Position the fixture back plate (C) to the wall and mark the location of drywall anchor (M). Pre-drill the holes for the drywall anchor (M). Then insert the drywall anchor into the wall.
6. Align diffuser (F) followed by gaskets (O), onto bracket (I) and secure with screws (G). The clear side diffuser (F) should face down toward bracket (I).

CONNECTING THE WIRES (FIG. 2)

7. At this point, connect the electrical wires as shown in Fig. 2, making sure that all wire connectors are secured. If your outlet has a ground wire (green or bare copper), connect the fixtures ground wire to it. Otherwise, connect the fixture ground wire directly to the mounting plate (A) using the green screw provided. After wires are connected, tuck them carefully inside the junction box.

FINISHING THE INSTALLATION (FIG.1)

8. Align fixture back plate (C) onto mounting plate (A) and secure with screws (D).
9. For additional stability, secure decorative plate (R) with screw (L).
10. Align cloth shade (H) onto back plate (C) and secure with screws (E).

Your installation is now complete. Return power to the junction box and test the fixture.

Replacing LED module (Fig. 3)

The LED module can be replaced by a qualified electrician without cutting of wire and without damage to any decorative element to which the fixture is attached. See installation steps for more details (Fig 3.)

CAUTION/ATTENTION: When handling the fixture, do not apply pressure to the LEDs. Hold the fixture by the base only.

- a. Shut off the power.
- b. Remove screws (E) and cloth shade (H) from back plate (C).
- c. Remove lower screw (L) and screws (D), carefully separate the fixture from mounting plate (A).
- d. Remove the wire connectors located inside the fixture back plate to disconnect the LED module.
- e. Remove the screws (J) and separate the heat sink (N) with LED from fixture body.
- f. Press the hole of the printed "L" quick connector on LED module with a pin to disconnected the black wire, and then disconnect the white wire from the printed "N" quick connector on LED module.
- g. Remove plastic screws (K) on heat sink (N). Carefully remove the LED module (M) from the heat sink (N).
- h. Reverse steps b-g for installing the new LED module.

Note: The LED module should be provided by a specified supplier.

Dimmable with ELV and/or LED compatible wall dimmer switches.

Fig. 1

Set#A-021-290203

- Mounting Plate
- Ground Screw
- Mounting Screw*2

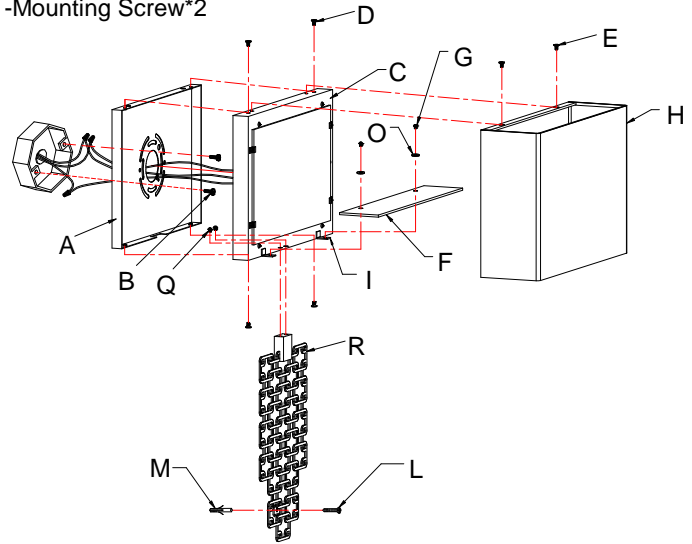


Fig. 2

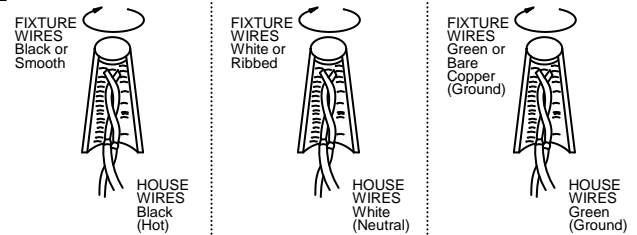
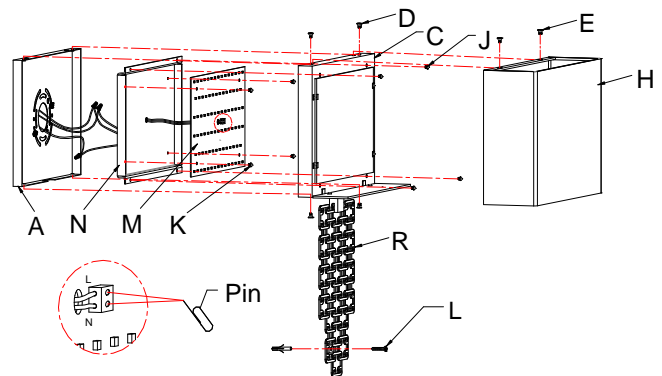


Fig. 3



IMPORTANT: Fixture should be installed by a qualified electrician to ensure proper wiring and installation.

For better heat dissipation the LED module (M) should be applied with thermal grease when re-lamping.



LA-3053E