

INSTALLATION INSTRUCTIONS

For item#N7785-248 (New. 2/11/2019)

READ AND SAVE THESE INSTRUCTIONS

WARNING! SHUT POWER OFF AT FUSE OR CIRCUIT BREAKER.

AVERTISSEMENT! COUPER LE COURANT AU NIVEAU DES FUSIBLES OU DU DISJONCTEUR.

PREPARING FOR INSTALLATION (Fig. 1&Fig. 3)

1. Shut **off** power at the fuse box or circuit breaker box and remove the old fixture including the mounting hardware.
2. Carefully unpack your new fixture and lay out all the parts in a clean area. Take care not to misplace any small parts necessary for installation.
3. Secure the fixture loop (A) into the nipple (E) of the fixture body (F).
4. Thread the nipple into the ceiling loop until snug.
5. Thread the other end of the nipple into the crossbar until snug. Note: The length of the nipple into the crossbar may be adjusted if necessary.
6. Use the lock washer and hex nut to secure the nipple into the crossbar.
7. Take this crossbar assembly and mount it to ceiling outlet box with mounting screws (Size: #8-32N*L0.5"). The side of crossbar marked with "GND" must face out.
8. Attach the quick link to the fixture loop. Quick link must be completely closed when installed. By measuring, determine the correct number of links needed for the desired hanging height. Use a pair of chain pliers to open one end link of the chain and discard the excess chain. Slipped the lock collar and canopy over the chain. Attach a quick link to the other link of the chain. Then raise the fixture and attach the quick link to the ceiling loop. Close the quick link. Careful lace the fixture wires through the chain links and pull until tight. Then feed the wires through the lock collar, canopy, ceiling loop and the nipple and pull until tight.

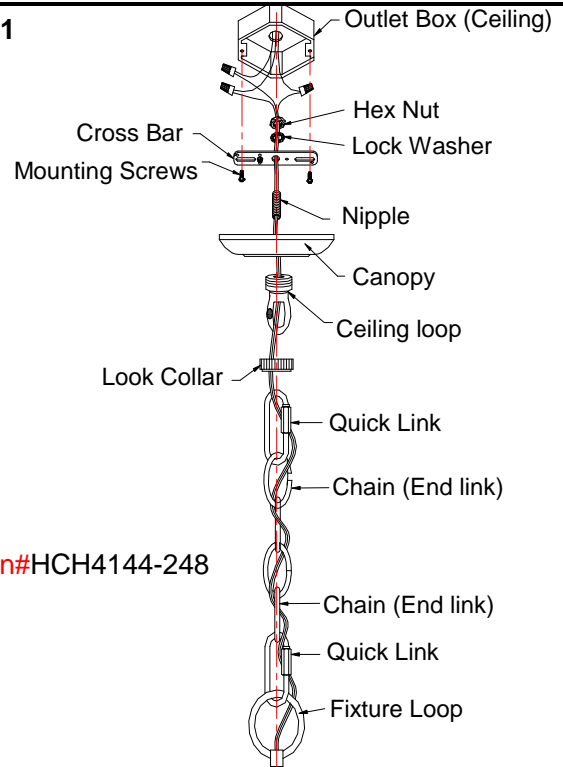
CONNECTING THE WIRES (Fig. 2)

9. Connect the electrical wires as shown in Fig. 2, making sure that all wire connectors are secured. If your outlet box has a ground wire (green or bare copper), connect the fixture's ground wire to it. Otherwise, connect the fixture's ground wire directly to the crossbar using the green screw provided.
10. Tuck the wire connections neatly into the ceiling outlet box. Raise the canopy to the ceiling and secure it with the lock collar to the fixture ceiling loop.
11. Place the candle covers (C) over the sockets (B).
12. Install (4) four candelabra base bulbs (D) up to 60 watts **each** or CFL or LED equivalent (not included) in accordance with the fixture specification—**DO NOT EXCEED THE MAXIMUM WATTAGE RATING! (NE PAS DEPASSER LA PUISSANCE NOMINALE MAXIMALE!)**

Your installation is now complete. Return power to the outlet box and test the fixture.

Note: Illustration (Fig. 3) on this manual is for installation purposes only. It may or may not be identical to the fixture purchased.

Fig. 1



Chain#HCH4144-248

Fig. 2

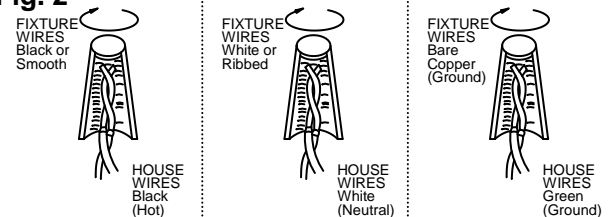
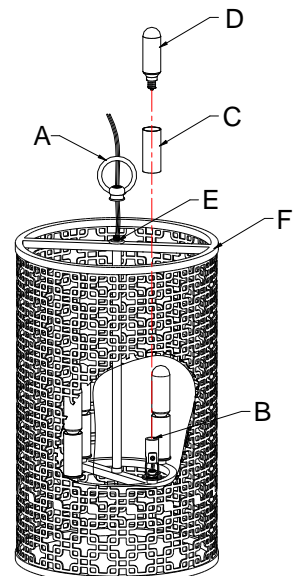


Fig. 3

- Set# A-012
 - Crossbar
 - Ground screw
 - Mounting Screw*2



Candle Cover#CCV24060P-248



Notice: It is important to use proper chain pliers (not included) To OPEN and CLOSE the chain included with this fixture. Do not open them with other tools that may twist or stress the chain links. It is important to use proper chain pliers like the ones shown in the diagram.



LA-3075E