

INSTALLATION INSTRUCTIONS

Item#N7814-726(Convertible Lamps for Pendant) (New. 2022/05/05)

READ AND SAVE THESE INSTRUCTIONS

WARNING! SHUT POWER OFF AT FUSE OR CIRCUIT BREAKER.

AVERTISSEMENT! COUPER LE COURANT AU NIVEAU DES FUSIBLES OU DU DISJONCTEUR.

MOUNTING THE FIXTURE (Fig.1)

1. Shut off power at the fuse box or circuit breaker box and remove the old fixture including the mounting hardware.
2. Carefully unpack your new fixture and lay out all the parts in a clean area. Take care not to misplace any small parts necessary for installation.
3. Place metal frame (J) over metal tube (K) and secure with screws (I).
4. Determine the desired hanging height and thread rods (F1, F2 and F3) to all thread (G) on fixture body. Attach canopy (D) by threading onto rod (F1). Carefully feed wires through each rod as you assemble. Note: Remove all thread, if installing with one 6" rod only.
5. Attach mounting plate (A) to junction box (Not included) with mounting screws (B) (Size: #8-32N*L0.5"). The side of mounting plate (A) marked "GND" and two convex points must face out.

CONNECTING THE WIRES (Fig. 2)

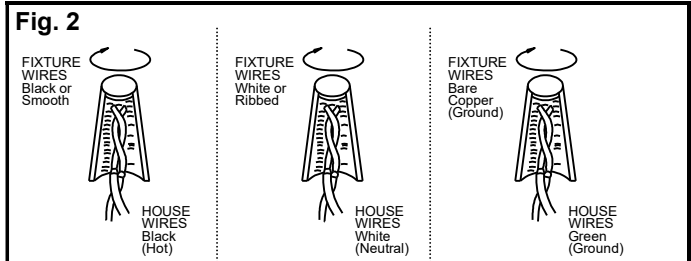
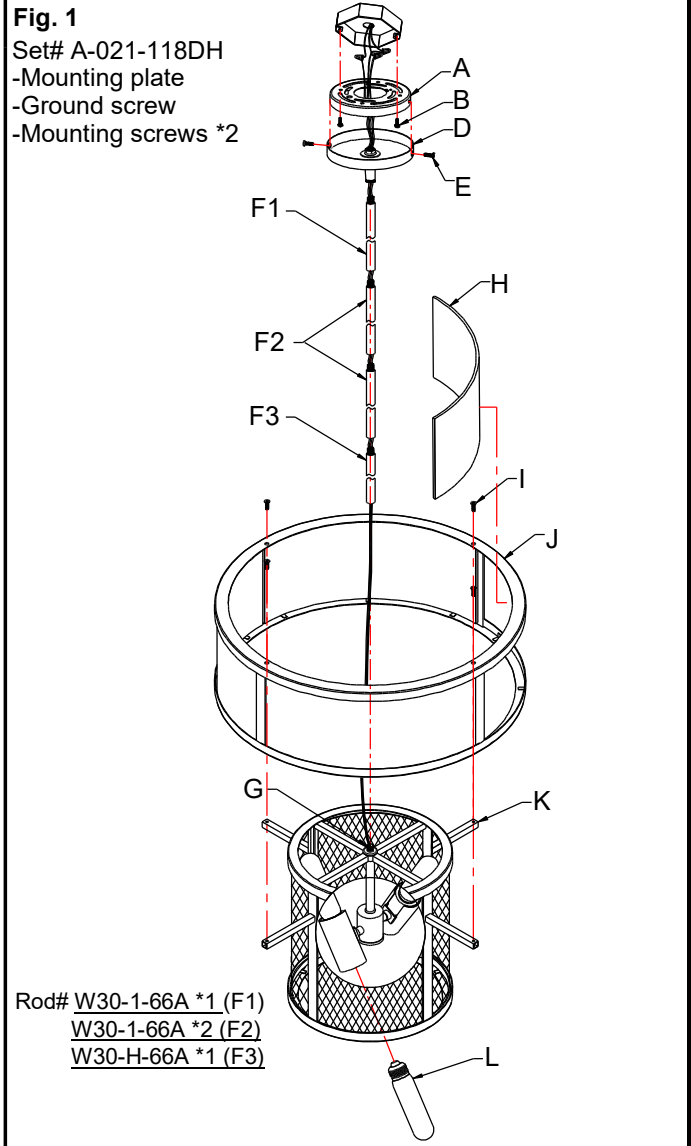
6. Connect the electrical wires as shown in Fig 2, making sure that all wire connectors are secured. If your junction box has a ground wire (green or bare copper), connect fixture's ground wire to it. Otherwise, connect the fixture's ground wire directly to mounting plate (A) using green screw provided.
7. Tuck wire connectors neatly inside the junction box.

FINISHING THE INSTALLATION (Fig.1)

8. Place canopy (D) over mounting plate (A) and secure with screws (E).
9. Place glass panel (H) into metal frame (J) and secure with tabs provided.
10. Install (4) four medium base bulbs (L) up to 60 watts each or CFL or LED equivalent (not included) in accordance with the fixture specification. — **DO NOT EXCEED THE MAXIMUM WATTAGE RATING! (NE PAS DEPASSER LA PUISSANCE NOMINALE MAXIMALE!)**

Your installation is now complete. Return power to the junction box and test the fixture.

Note: Illustration (Fig.1) on this manual is for installation purposes only. It may or may not be identical to the fixture purchased.



INSTALLATION INSTRUCTIONS

Item# N7814-726 (Convertible Lamps for Semi Flush Mount) (New. 2022/05/05)

READ AND SAVE THESE INSTRUCTIONS

WARNING! SHUT POWER OFF AT FUSE OR CIRCUIT BREAKER.

AVERTISSEMENT! COUPER LE COURANT AU NIVEAU DES FUSIBLES OU DU DISJONCTEU

PREPARATION (Fig.3&4)

1. Loosen hex nut (O) by using wrench (M) (Not included). Carefully remove washer (P), lock washer (Q), metal plate (N), canopy (D) and swivels (S) (Fig.4). Cut down a length of wire if the wire is too long.
2. Secure the metal tube (R) into the all thread (G).
3. Thread canopy (D), metal plate (N), lock washer (Q), washer (P) and hex nut (O) into the all thread on top of metal tube (R). Then secure hex nut (O) by using wrench (M)(Not included) .(Fig. 3)
4. Place metal frame (J) over metal tube (K) and secure with screws (I).

5. Attach mounting plate (A) to junction box (Not included) with mounting screws (B) (Size: #8-32N*L0.5"). The side of the mounting plate (A) marked "GND" and two convex points must face out.

CONNECTING THE WIRES (Fig. 2)

6. Connect the electrical wires as shown in fig 2, making sure that all wire connectors are secured. If your junction box has a ground wire (green or bare copper), connect the fixture's ground wire to it. Otherwise, connect the fixture's ground wire directly to the mounting plate (A) using the green screw provided.
7. Tuck wire connectors neatly into the junction box.

FINISHING THE INSTALLATION (Fig.3)

8. Place canopy (D) over mounting plate (A) and secure with screws (E).
9. Install the glass panel (H) into metal frame (J) and secure with tabs provided.
10. Install (4) four medium base bulbs (L) up to 60 watts each or CFL or LED equivalent (not included) in accordance with the fixture specification. **—DO NOT EXCEED THE MAXIMUM WATTAGE RATING! (NE PAS DEPASSER LA PUISSANCE NOMINALE MAXIMALE!)**

Your installation is now complete. Return power to the junction box and test the fixture.

Note: Illustration (Fig.3) on this manual is for installation purposes only. It may or may not be identical to the fixture purchased.

Fig. 3

Set# A-021-118DH
-Mounting plate
-Ground screw
-Mounting screws*2

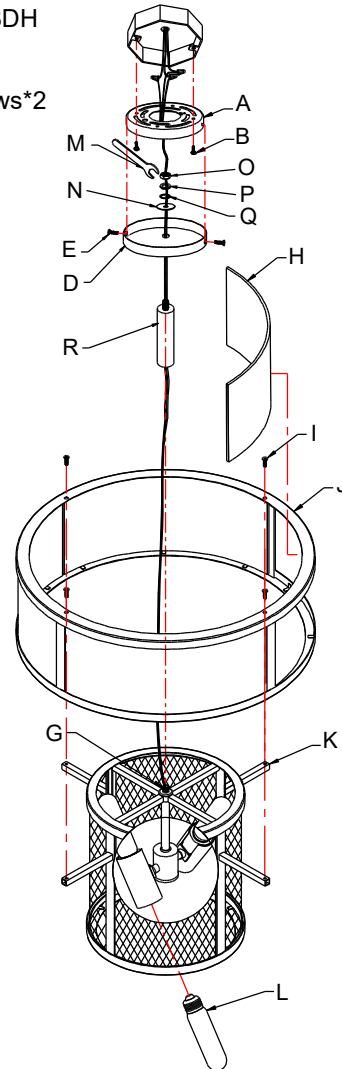


Fig. 4

