

# INSTALLATION INSTRUCTIONS

Item #N7847-711 (07/18/2022)

READ AND SAVE THESE INSTRUCTIONS

**WARNING! SHUT POWER OFF AT FUSE OR CIRCUIT BREAKER.**  
**AVERTISSEMENT! COUPER LE COURANT AU NIVEAU DES FUSIBLES OU DU DISJONCTEUR.**

## PREPARING THE FIXTURE (Fig.2)

1. Carefully unpack the new fixture and lay out all the parts on a clear area. Take care not to lose any parts necessary for installation.
2. Shut off the power at the fuse box or circuit breaker. If necessary, remove the old fixture, including the mounting hardware.
3. By measuring, determine desired hanging height and thread rods (B & C) into the top all thread of fixture body. Press wire restraint to adjust length of cable (D).
4. Carefully pass the fixture wires through each rod as you assemble.
5. Pass the wires through canopy (E) and pull until tight. Then thread the canopy onto top of rods.

## MOUNTING THE FIXTURE (Fig.1)

6. The mounting strap contains several pairs of threaded holes, find the pair of holes that match holes spacing in your fixture canopy and thread two fixture screws into mounting strap and tighten with hex nut. Note: The length of fixture screw into mounting strap may be adjusted if necessary.
7. Attach mounting strap to the outlet box (not included) using box screws (Size: #8-32\*0.5L). The side of mounting strap marked "GND" must face out.
8. The support cable is provided to support the weight of fixture while wiring. Align fixture to mounting strap and attach hook on the end of support cable into a slot located on mounting strap. Carefully allow support cable to support the weight of the fixture while wiring.

## CONNECTING THE WIRES (Fig. 3)

9. At this point, connect the electrical wires as shown in Fig. 3, making sure that all wire connectors are secured. If your outlet box has a ground wire (green or bare copper), connect the fixture's ground wire to it. Otherwise, connect the fixture's ground wire directly to the mounting strap using the green screw provided.
10. Tuck wire connectors neatly into outlet box.

## FINISHING THE INSTALLATION (Fig.1 & 2)

11. Place fixture canopy (E) over two fixture screws (or all thread) and secure with decorative nuts.
12. Place candle cover (A) on socket.
13. Install (8) eight candelabra base bulbs up to 60 watts each or CFL or LED equivalent (not included) in accordance with the fixture specification—**DO NOT EXCEED THE MAXIMUM WATTAGE RATING! (NE PAS DEPASSER LA PUISSANCE NOMINALE MAXIMALE!)**.

Your installation is now complete. Return power to the outlet box and test the fixture.

**Note:** Illustration on this manual is for installation purposes only. It may or may not be identical to the fixture purchased. Do not clean your light fixture or parts with water or cleanser.

Fig.1

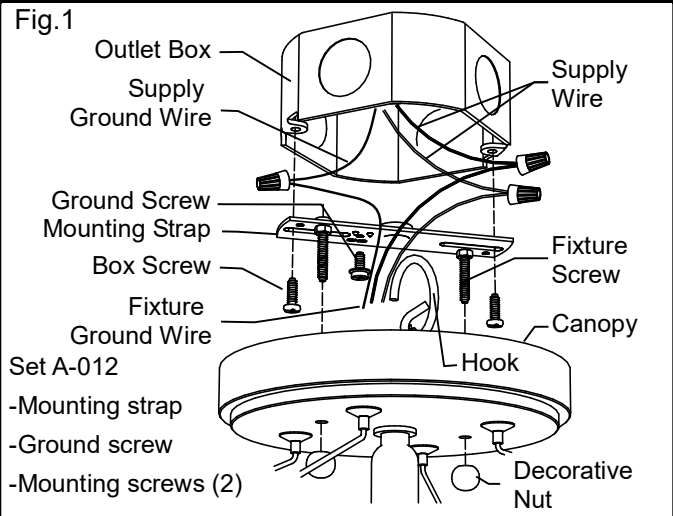


Fig.2

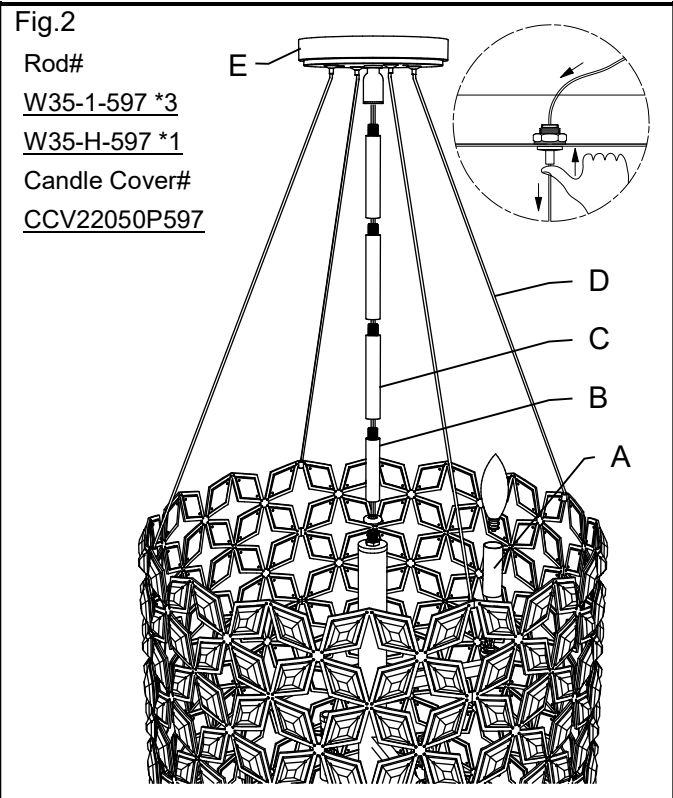


Fig.3

