

INSTALLATION INSTRUCTIONS FOR N7866-678-L

READ AND SAVE THESE INSTRUCTIONS

WARNING! SHUT POWER OFF AT FUSE OR CIRCUIT BREAKER
AVERTISSEMENT! COUPER LE COURANT AU NIVEAU DES FUSIBLES OU DO DISJONCTEU

PREPARING FOR INSTALLATION (Fig. 1)

1. Shut off power at the fuse box or circuit breaker box and remove the old fixture including the mounting hardware.
2. Carefully unpack your new fixture and lay out all the parts in a clean area. Take care not to misplace any small parts necessary for installation.
3. Determine the desired hanging height and thread rods (K, L, and M) to the all threads on the fixture body. Then attach loop (J) by screwing into rod (K). Note: Pass the wires carefully through each rod as you assemble.
4. Attach the quick link (I) to loop (J) and loop (H) on the canopy, then close quick link. Carefully feed the wire through loop (J), quick link (I) and loop (H).
5. Position the mounting plate (C) on the ceiling and mark location of the two mounting holes. Drill two holes into the ceiling and insert plastic anchors (B).
6. Attach the mounting plate (C) to the junction box using mounting screws (F) (Size: #8-32N*L5/8"). The side of the mounting plate marked "GND" must face out.
7. Secure the mounting plate (C) by screwing wood screws (D) through the holes on the mounting plate and into the plastic anchors (B).
8. The support cable is provided to support the weight of the fixture while wiring. Raise the fixture to the mounting plate (C) and attach the hook (S) at the end of support cable into a slot located on mounting plate (C). Carefully allow the support cable to support the weight of the fixture while wiring.

CONNECTING THE WIRES (Fig.2)

9. Connect the electrical wires as shown in figure 2, making sure that all wire connectors are secured. If your outlet box has a ground wire (green or bare copper), connect the fixture's ground wire to it. Otherwise, connect the fixture's ground wire directly to the mounting plate (C) using the green screw provided.

COMPLETING THE INSTALLATION (Fig. 1)

10. Tuck the wire connectors neatly into the ceiling outlet box (A) (not included). Raise the canopy over the mounting plate (C) and secure with screws (G).
11. Secure crystals (R) onto tube (N) with wrench (P), included, and screws (O).

REPLACING LED MODULE (Fig. 1)

The LED module can be replaced by a qualified electrician without cutting the wire and without damage to any decorative element to which the fixture is attached. See installation steps for more details (Fig.1).

- a. Shut off the power.
 - b. Remove screw (e) using wrench (f) (same as P) and unscrew socket tube (g) from fixture.
 - c. Press the bottom of the printed "L" quick connector on LED module (d) with screwdriver (a), not included, to disconnected the black wire and then disconnect the white wire from the printed "N" quick connector on LED module (d).
 - d. Remove the screws (b) with screwdriver (a). Carefully remove the LED module (d).
 - e. Reverse steps b-d for installing the new LED module (d).
- Your installation is now completed. Return power to the outlet box and test the fixture.

Note: Illustration (Fig.1) on this manual is for installation purposes only. It may or may not be identical to the fixture purchased.

Dimmable with ELV and/or LED compatible wall dimmer.

Fig.1

- Rod#W30-H-66*2(K)
- #W30-1-66*6(L)
- #9N7866678RD10*2(M)
- Set-Mounting#A-021-355120
- Mounting plate (1)
- Green screw (1)
- Mounting screw (2)

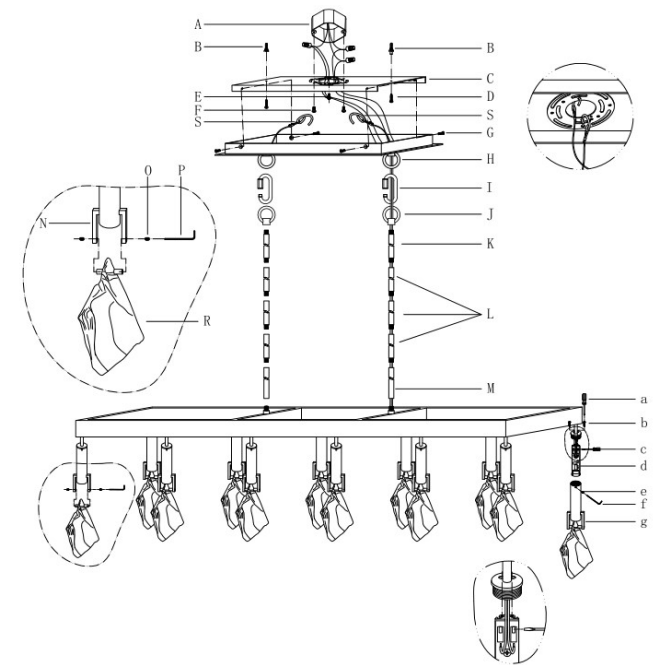
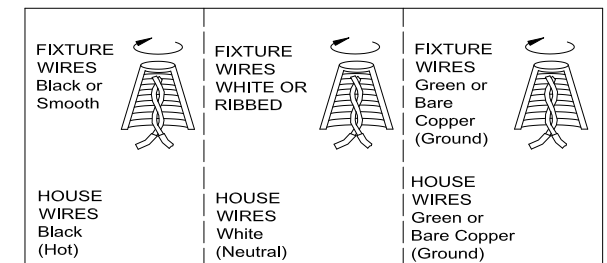


Fig.2



american
lighting
association

