

INSTALLATION INSTRUCTION FOR FIXTURE #N7982-420

WARNING! SHUT POWER OFF AT FUSE OR CIRCUIT BREAKER.
AVERTISSEMENT! COUPER LE COURANT AU NIVEAU DES FUSIBLES OU DU DISJONCTEUR.

MOUNTING THE FIXTURE (FIG. 1)

1. Shut of power at the fuse box or circuit breaker box and remove the old fixture including the mounting hardware.
2. Carefully unpack your new fixture and lay out all the parts in a clean area. Take care not to misplace any small parts necessary for installation.
3. Position the mounting plate (B) on the wall and mark location for the two plastic anchors (G). Drill the holes on the wall and insert the plastic anchors (G).
4. Attach the mounting plate (B) to the junction box using mounting screws (A). The side of the mounting plate marked "GND" must face out.
5. Secure the mounting plate (B) by inserting the wood screws (F) through the holes on the mounting plate (B) into the plastic anchors (G).

CONNECTING THE WIRES (FIG. 2)

6. Connect the electrical wires as shown in fig.2, making sure that all wire connectors are secured. If your junction box has a ground wire (green or bare copper), connect the fixture's ground wire to it. Otherwise, connect the fixture's ground wire directly to the mounting plate (B) using the green screw provided.
7. Tuck the wire connections neatly into the junction box.

COMPLETING THE INSTALLATION (Fig. 1)

8. Attach the fixture's main body (C) over the mounting plate (B) and secure with four screws (D) tightly.
9. Place the candle covers (E) over the sockets (H).
10. Install (2) two candelabra base bulbs (J) up to 60 watts each or CFL or LED equivalent (not included) in accordance with the fixture specification—**DO NOT EXCEED THE MAXIMUM WATTAGE RATING! (NE PAS DEPASSER LA PUISSANCE NOMINALE MAXIMALE!)**.

Your installation is now complete. Turn on the power supply of the junction box to test the fixture.

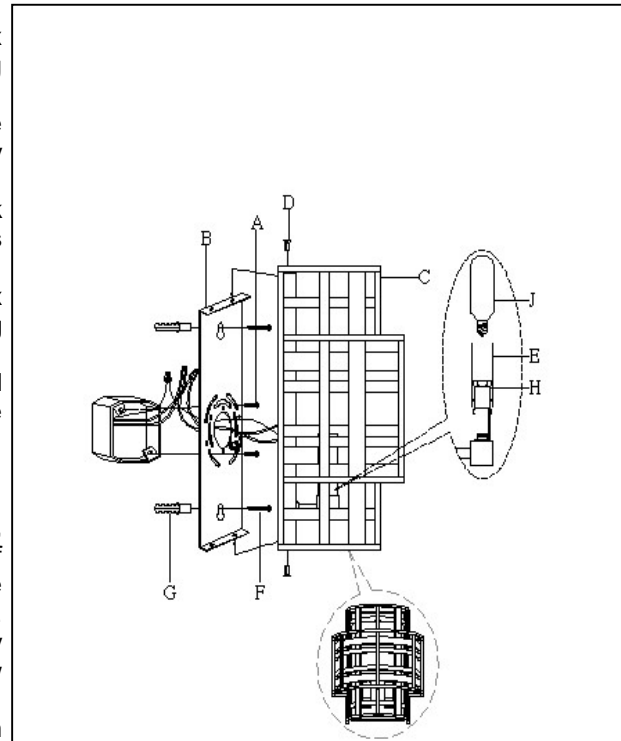


Fig.1

Candle cover# CCV21060P-84
Mounting plate# A-020-285121

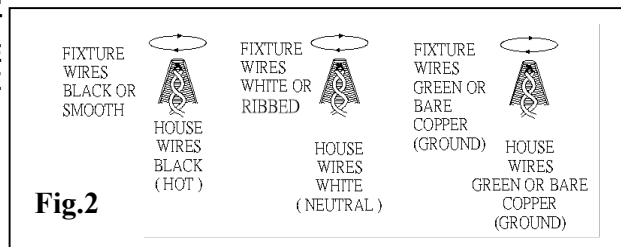


Fig.2

Note: Illustration (Fig. 1) on this manual is for installation purposes only. It may or may not be identical to the fixture purchased.



american
lighting
associates