

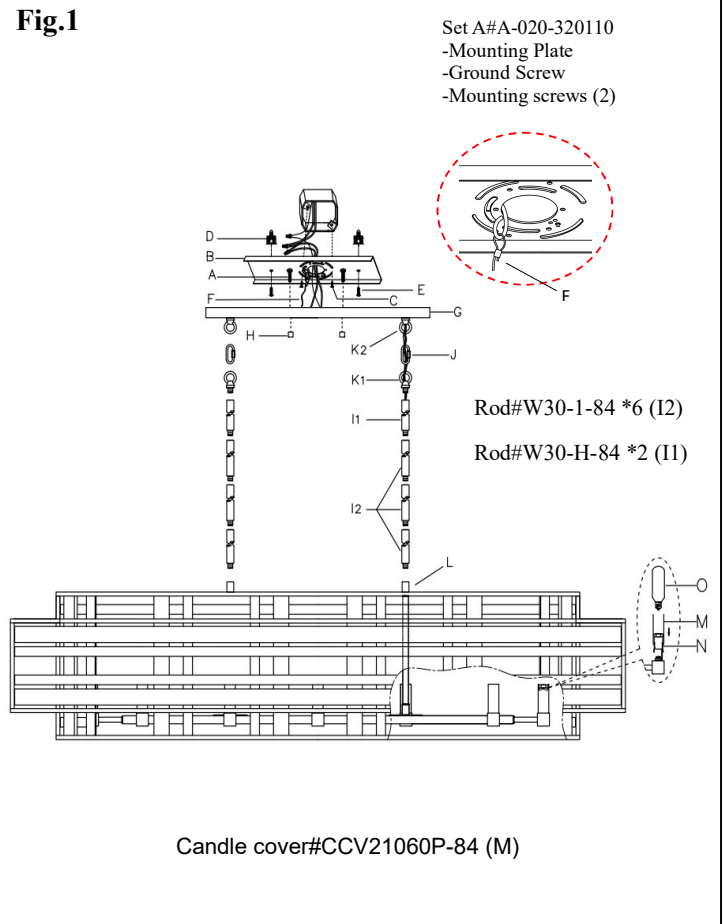
INSTALLATION INSTRUCTION FOR FIXTURE #N7989-420

WARNING! SHUT POWER OFF AT FUSE OR CIRCUIT BREAKER.
AVERTISSEMENT! COUPER LE COURANT AU NIVEAU DES FUSIBLES OU DU DISJONCTEUR.

MOUNTING THE FIXTURE (FIG.1&FIG.3)

1. Shut off power at the fuse box or circuit breaker box and remove the old fixture including the mounting hardware.
2. Carefully unpack your new fixture and lay out all the parts in a clean area. Take care not to misplace any small parts necessary for installation.
3. Determine desired hanging and thread Rods (I1 and I2) to Coupling (L). Pass wires carefully through each rod as you assemble.
4. Thread Loop (K1) to Rod (I1). Attach Quick Link (J) to Loop (K1) and Loop (K2) on Canopy (G). Carefully feed wire through Loop (K1), Quick Link (J) and Loop (K2).
5. Position Mounting Plate (B) on ceiling, and mark location of the two Plastic Anchors (D). Drill holes on ceiling surface, and insert Plastic Anchors (D).
6. Attach Mounting Plate (B) to junction box (not included) using Screws (C). The side of the Mounting Plate marked "GND" must face out.
7. Secure Mounting Plate (B) by inserting Wood Screws (E) through holes on Mounting Plate (B) into Plastic Anchors (D).
8. The support cable is provided to support the weight of the fixture while wiring. Align the fixture to Mounting Plate (B) and attach hook on the end of Support Cable (F) into a slot located on Mounting Plate (B). Carefully allow Support Cable (F) to support the weight of fixture while wiring.

Fig.1



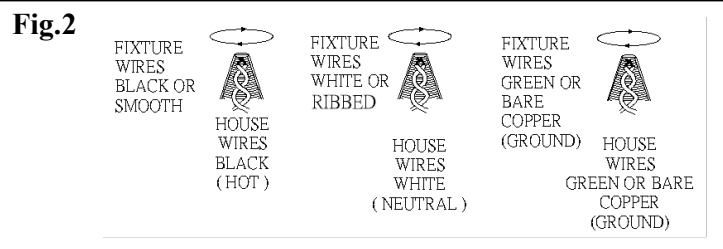
CONNECTING THE WIRES (FIG. 2)

9. Connect the electrical wires as shown in Fig. 2, making sure that all wire connectors are secured. If your junction box has a ground wire (green or bare copper), connect fixture's ground wire to it. Otherwise, connect fixture's ground wire directly to Mounting Plate (B) using green screw provided.
10. Tuck wire connectors neatly inside the junction box.

COMPLETING THE INSTALLATION (Fig. 1)

11. Raise the fixture to ceiling so the Mounting Screws (A) protrude through holes on Canopy (G) and secure with finials (H).
12. Place Candle Covers (M) over Sockets (N).
13. Install (12) twelve candelabra base Bulbs (O) up to 60 watts each or CFL or LED equivalent (not included) in accordance with the fixture specification—**DO NOT EXCEED THE MAXIMUM WATTAGE RATING! (NE PAS DEPASSER LA PUISSANCE NOMINALE MAXIMALE!)**.

Fig.2

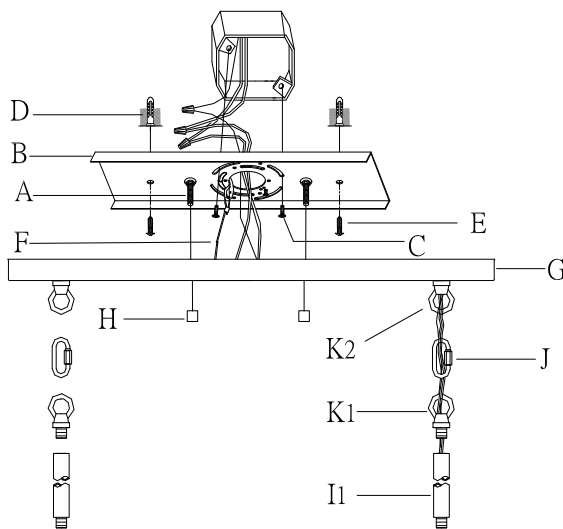


Your installation is now complete. Return power to the junction box and test the fixture.

Note: Illustration (Fig. 1) on this manual is for installation purposes only. It may or may not be identical to the fixture purchased.

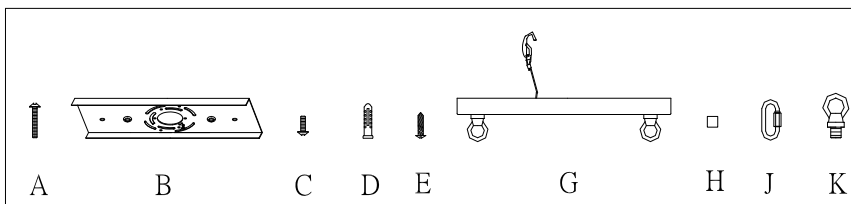


Fig.3



a. Hardware Bag:

- A. Mounting Screw*2
- B. Mounting Plate*1
- C. Screw*2
- D. Plastic Anchor*2
- E. Wood Screw*2
- G. Canopy*1
- H. Finials*2
- J. Quick Link*2
- K. Loop*1



b. Hardware Bag:

- I1. ROD 6*12
- I2. ROD 12*6

