

# INSTALLATION INSTRUCTIONS

For N7994-572-L/N7995-572-L/N7996-572-L

**WARNING! SHUT POWER OFF AT FUSE OR CIRCUIT BREAKER.**

**AVERTISSEMENT! COUPER LE COURANT AU NIVEAU DES FUSIBLES OU DU DISJONCTEUR.**

## MOUNTING THE FIXTURE (Fig. 1)

1. Shut off power at the fuse box or junction box and remove the old fixture including the mounting hardware.
2. Carefully remove the new fixture from the carton and check that all parts are included as shown in the illustration.
3. Attach mounting plate (C) to the junction box (A) (not included) using mounting screws (E) (Size: #8-32\*1/2"L). The side of the mounting plate marked "GND" must face out.
4. Determine desired hanging height and thread rods (K1 and K2) to all thread of cluster. Thread canopy (J) onto rod (K1). Carefully pass wires through each rod and canopy (J).
5. There are three drivers inside canopy, connect driver output wire to LED wires as listed below. Secure with wire connectors (F).

-Red driver output wire (labeled Output1+) to red LED wire (labeled LED1+)

-Black driver output wire (labeled Output1-) to red LED wire (labeled LED1-)

-Red driver output wire (labeled Output2+) to red LED wire (labeled LED2+)

-Black driver output wire (labeled Output2-) to red LED wire (labeled LED2-)

-Red driver output wire (labeled Output3+) to red LED wire (labeled LED3+)

-Black driver output wire (labeled Output3-) to red LED wire (labeled LED3-)

6. The support cable is provided to support weight of fixture while wiring. Align fixture to mounting plate (C) and attach hook (D) on the end of support cable (G) into a slot located on mounting plate (C). Carefully allow support cable (G) to support weight of fixture while wiring.

## CONNECTION THE WIRES (Fig. 2)

7. Connect the electrical wires as shown in Fig. 2, making sure that all wire connectors (F) are secured. If your junction box has a ground wire (green or bare copper), connect the fixture's ground wire to it. Otherwise, connect the fixture's ground wire directly to the mounting plate (C) using the ground screw (N) provided.
8. Tuck wire connections neatly inside the junction box (A).

## FINISHING THE INSTALLATION (Fig. 1)

9. Place canopy (J) onto mounting plate (C) and secure with screws (H).
10. Adjust telescopic copper (L) to adjust length of hanging wire if needed.

Your installation is now complete. Return power to the junction box and test the fixture.

**CAUTION / ATTENTION:** When handling the fixture, do not apply pressure to the LEDs. Hold the fixture by the base or fixture body only.

Dimmable with ELV and/or LED compatible wall dimmer switch.

Fig. 1

### Mounting Plate Set #:

**A-021-155D for N7994-572-L/**

**A-021-175D for N7995-572-L/ N7996-572-L**

-Mounting plate (C)

-Ground screw (N)

-Mounting screw\*2 (E)

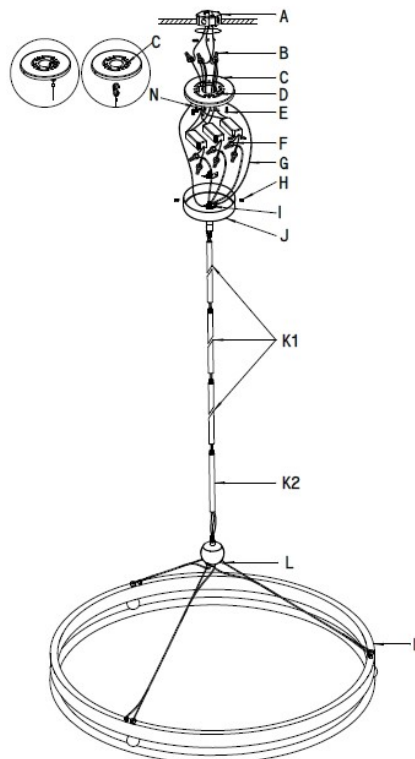
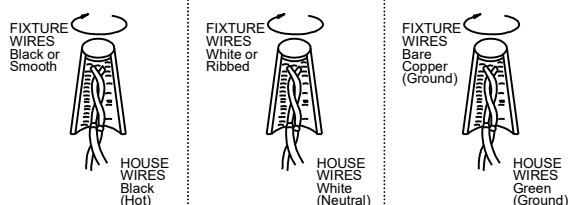


Fig. 2



**IMPORTANT:** Fixture should be installed by a qualified electrician to ensure proper wiring and installation.

