

# INSTALLATION INSTRUCTIONS

For Model # P033-077 (09/23/2004)

**WARNING! SHUT POWER OFF AT FUSE OR CIRCUIT BREAKER.**

## ASSEMBLING THE FIXTURE (Fig. 1)

1. Shut off power at the circuit breaker and remove old fixture from ceiling, including the crossbar.
2. Carefully unpack your new fixture and lay out all the parts on a clear area. Take care not to lose any small parts necessary for installation.
3. Connect Bars (G) and Light Body (H) into a combination.
4. Determine length desired and thread the combination to Canopy (E) to the desired length.
5. Attach the Crossbar (B) to the Outlet box in the ceiling with two screws (C). The side of the Crossbar with "GND" marked on it and two convex points must face out.

## CONNECTING THE WIRES (Fig. 2)

6. At this point, Connect the electrical wires as shown in Fig. 2, making sure that all wire connectors are secured. If your outlet has a ground wire (green or bare copper), connect the fixture's Ground Wire to it. Otherwise, connect the fixture's Ground Wire directly to the crossbar using the Green Screw provided.

## FINISHING THE INSTALLATION (Fig.1)

7. Secure Canopy (E) by threading Studs (D) 1/4" into the pre-drilled holes in the Crossbar (B) spaced at the same distances apart as the holes in the Canopy (E).
8. Carefully lift the Canopy (E) through the Canopy's pre-drilled holes to both Threading Studs (D). Secure Canopy against ceiling with Knurled Knobs (F).
9. Place Glass (I) to the Nipple on the bottom of the lighting fixture with Nut (J).
10. Install Light bulbs in accordance with the fixture's specifications. **(DO NOT EXCEED THE MAXIMUM WATTAGE RATING).**

Your installation is now complete. Return power to the outlet box and test fixture.

Fig. 1

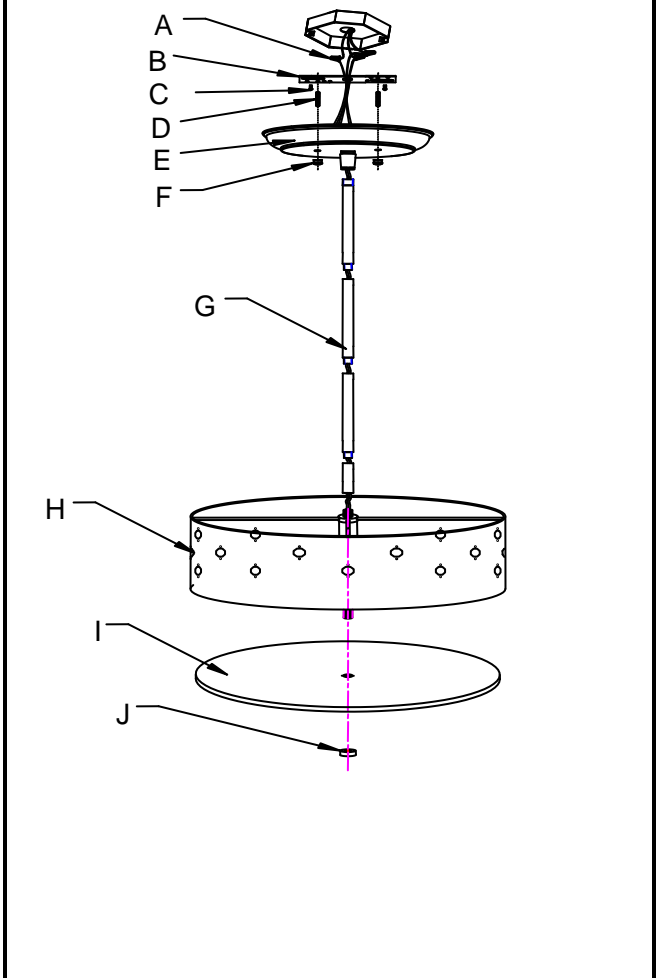
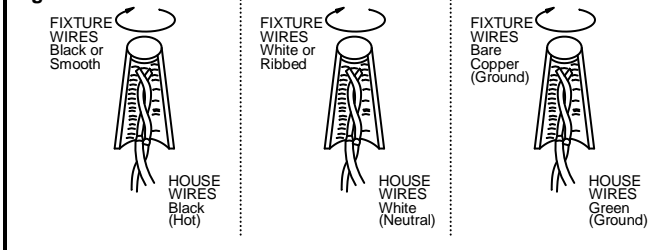


Fig. 2



**IMPORTANT: FIXTURE SHOULD BE INSTALLED BY A QUALIFIED ELECTRICIAN TO ENSURE PROPER WIRING AND INSTALLATION.**

