

# Installation Instruction

For Table Lamp  
Model#P083-66F-L

## WARNING

- Risk of shock, do not plug in the unit before assembly is complete.
- Do not exceed the maximum wattage rating.  
(Ne pas dépasser la puissance nominale maximale!)
- Before turning on, please follow the instruction manual step by step.

## INSTALLATION

1. Carefully unpack your new lamp and place all parts on a smooth, flat surface to protect the finish until ready to install.
2. Plug the adapter into the lamp body.
3. Adjust the arm location as desired, plug the adapter into the socket and test the new lamp.

## FUNCTIONAL DESCRIPTION

This lamp has two touch buttons:

1. Up touch button:

- 1<sup>st</sup> touch: On / 20% brightness
- 2<sup>nd</sup> touch: 50% brightness
- 3<sup>rd</sup> touch: 75% brightness
- 4<sup>th</sup> touch: 100% brightness
- Long touch: Off

2. Down touch button

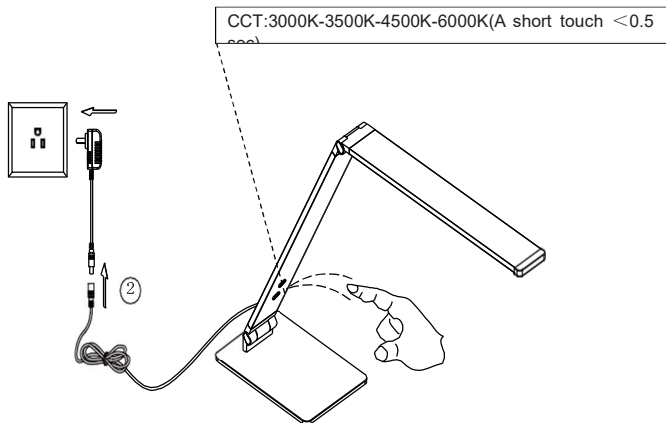
To change the color temperature of light to 3000K-3500K-4500K-6000K

This switch has an auto-resume feature when power on, it will stay at the same brightness as the last time it was turn off.

## IMPORTANT SAFETY INSTRUCTIONS

- Never use with an extension cord unless the plug can be fully inserted.
- Do not change or alter.

**MADE IN CHINA**



**IMPORTANT: FIXTURE SHOULD BE INSTALLED BY A QUALIFIED ELECTRICIAN TO ENSURE PROPER WIRING AND INSTALLATION.**