

# INSTALLATION INSTRUCTIONS FOR P1074-L

## For LED Pendant

### READ AND SAVE THESE INSTRUCTIONS

#### WARNING! SHUT POWER OFF AT FUSE OR CIRCUIT BREAKER

#### AVERTISSEMENT! COUPER LE COURANT AU NIVEAU DES FUSIBLES OU DO DISJONCTEU

#### ASSEMBLING THE FIXTURE (Fig.1, Fig. 2)

- 1 Shut off power at the fuse box or circuit breaker. If necessary, remove the old fixture including the mounting hardware.
- 2 Carefully remove the fixture from the carton and check that all parts are included as show in Figure 1.
- 3 Loosen screws (D) and remove mounting plate (A) from canopy (C). Attach mounting plate (A) (Part# LTG BKT10) to the junction box using mounting screws (B) (size:8-32\*1/2L).
- 4 This fixture includes three 12" and one 6" rod. Determine the desired hanging height and thread rods F1 (Part#W30-1-613), F2 (Part#W30-1-613), F3 (Part#W30-H-613) to nipple (G). Pass the wires carefully through each rod during assembly. Next place canopy (C) over rods (F) and thread hanger ball (E) to rod (F). Please remove the nipple if installing with one 6" rod only.
- 5 Lace the safety cable through the set screws assembly and secure with screw close to the hanger ball with the length desired.
- 6 While holding the fixture body, install the fixture into the mounting plate (A) by tilting at a slight angle so that the hanger ball (E) slips into the mounting plate (A) as shown. Align the notch in the hanger ball (E) to the tab on the mounting plate (A) to prevent the fixture from turning.

#### CONNECTING THE WIRES (Fig. 3)

- 7 At this point, connect the electrical wire as shown in figure 3, making sure that all wire connectors are secured. If your outlet has a ground wire (green or bare copper), connect the ground wire from the hanger ball and mounting plate to it. Otherwise, connect the ground wire from hanger ball directly to the mounting plate ground wire and secure with wire connectors provided. After the wires are connected, tuck them carefully into the ceiling junction box.

#### FINISHING THE INSTALLATION (Fig.1)

- 8 Align canopy (C) over mounting plate (A) and secure with screws (D).
- 9 Place glass (Q) onto hexagonal stud (O) and secure with rubber washer (N) and screw (R). Thread rod (L) to joint (K).
- 10 Align glass (H) to rod (L) and secure with finial (I).

Your installation is now complete. Return power to the junction box and test the fixture.

**CAUTION/ATTENTION:** When handling the fixture, do not apply pressure to the LEDs. Hold the fixture by the base only.

#### Replacing LED module (Fig. 4)

The LED module can be replaced by a qualified electrician without cutting of wire and without damage to any decorative element to which the fixture is attached. See installation steps for more details (Fig. 4)

**Warning:** Turn off power at the circuit breaker before replacing LED module.

- a. Loosen finial (I) and remove glass (H).
- b. Loosen rod (L), screws (R), rubber washer (N) and remove glass (Q).
- c. Loosen hexagonal stud (O), screw (P), rubber washer (S). Carefully remove LED module (M) from pan and disconnect the wire using screwdriver from wire connector (T).
- d. Reverse steps a-c for installing the new LED module.

Note: The LED module should be provided by a specified supplier.

**IMPORTANT:** Fixture should be installed by a qualified electrician to ensure proper wiring and installation.

**Dimmable with ELV and/or LED compatible wall dimmer switches**

Fig.1

Set#LTG BK10

-Mounting plate

-Green screw

-Mounting screw (2)

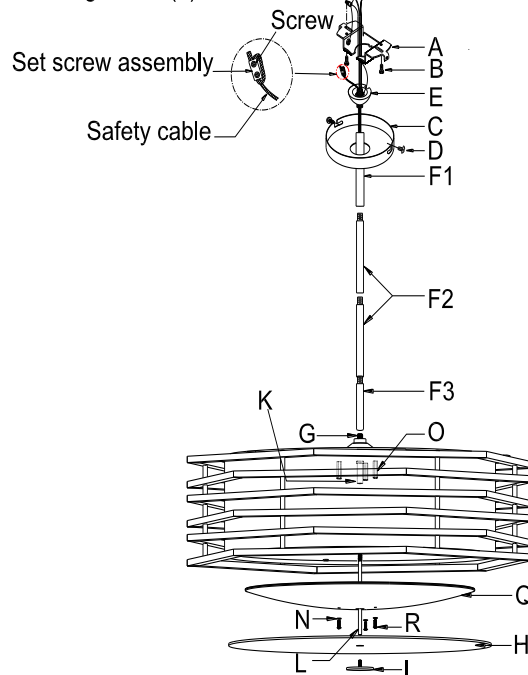


Fig.3

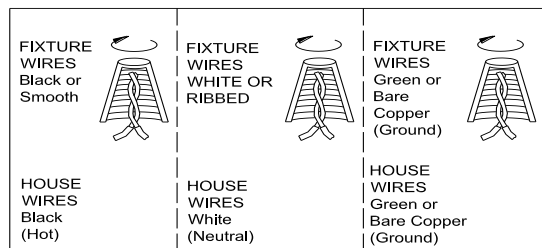


Fig.4

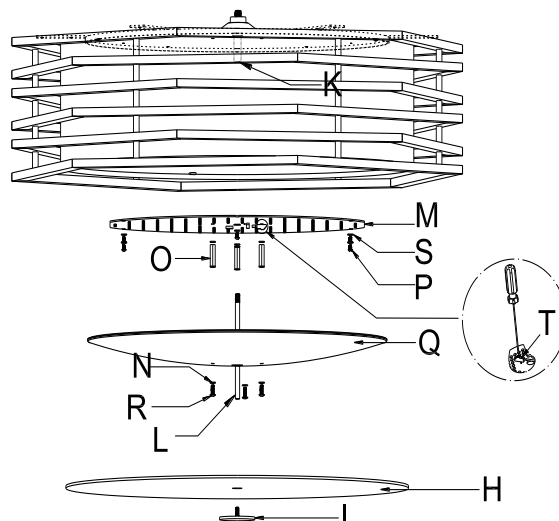
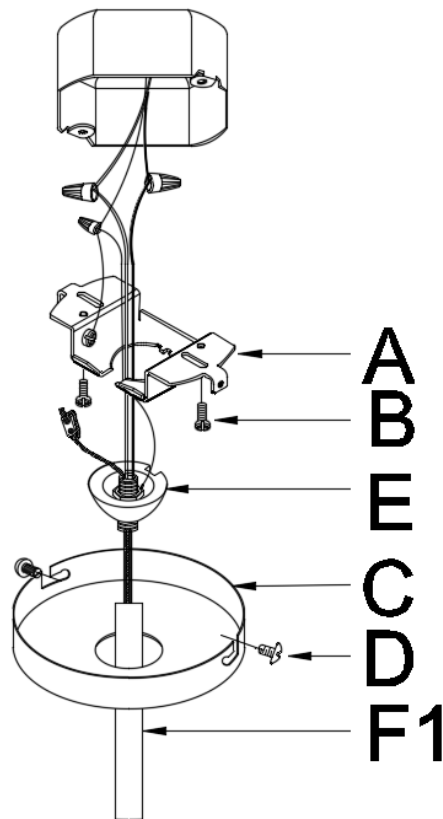
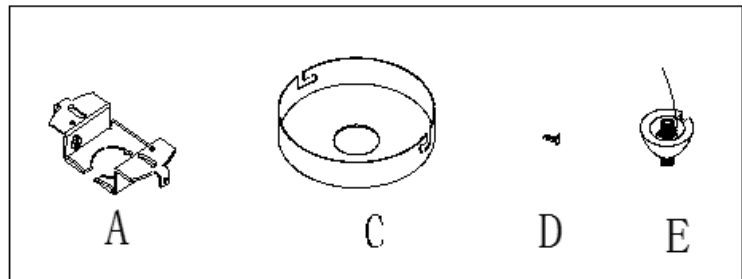


Fig.2



a. Hardware Bag:

- A. Mounting plate x 1
- C. Canopy x 1
- D. Screw x 2
- E. Hanger ball x 1



b. Hardware Bag:

- F1. ROD 12" x 1
- F2. ROD 12" x 2
- F3. ROD 6" x 1

