

INSTALLATION INSTRUCTIONS FOR P1110-L

For LED Wall Mount Fixture

WARNING! SHUT POWER OFF AT FUSE OR CIRCUIT BREAKER.
AVERTISSEMENT ! COUPER LE COURANT AU NIVEAU DES FUSIBLES OU DO DISJONCTEUR.

PREPARATION

1. Shut off power at the fuse box or circuit breaker box. If necessary remove the old fixture and mounting hardware.
2. Carefully unpack your new fixture and lay out all the parts on a clear area. Take care not to lose any small parts necessary for installation. **Note: Do not remove the plastic film on the steel mesh.**

MOUNTING THE FIXTURE (FIG. 1)

3. Connect the white input wire from the driver (A) to the white wire from the junction box. Connect the black input wire from driver (A) to the black wire from the junction box and tuck the driver (A) and connected wires carefully inside the junction box. (Note: To be installed with a 4" round or octagon junction box)
4. Secure mounting plate (B) to the junction box using junction boxes screws (D) (Size: 8-32*1/2"L). The side of the mounting plate marked "GND" must face out.

FINISHING THE INSTALLATION (FIG.1)

5. Align holder (L) to the holes on glass (M) and secure with screws (I). **Do not scratch the glass during assembly.**
6. Align the glass (M) with holders (L) to holder (G) on fixture (O) and secure with screws (H). **Do not have the glass (M) contact with the frame (O) during assembly, to prevent the paint on the glass being scratched.**

CONNECTING THE WIRES (FIG. 2)

7. Connect the red output wire from driver to the red input wire from the led module. Connect the black output wire from driver to the black input wire from led module see Fig. 2, making sure that all wire connectors are secured. If your junction box has a ground wire (green or bare copper), connect the fixtures ground wire to it. Otherwise, connect the fixture ground wire directly to the mounting plate (B) using the green screw (C) provided. Tuck the wire connections neatly into the junction box.
8. Align fixture (O) to mounting plate (B) and secure with screws (E). **Then remove the plastic film on the steel mesh.**

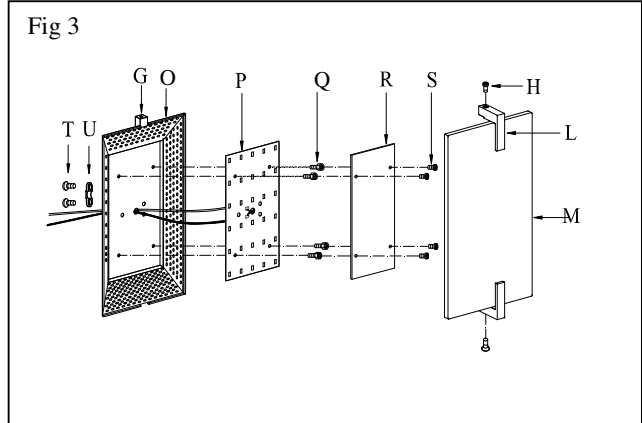
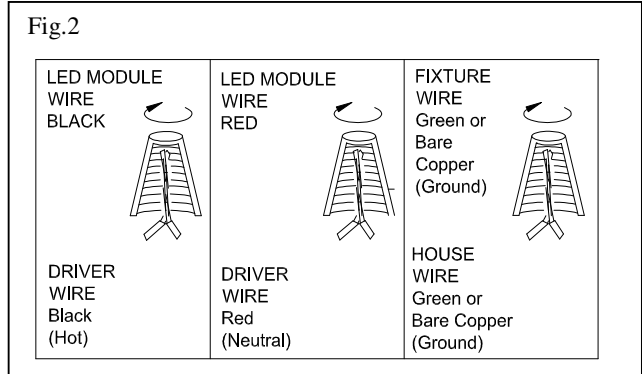
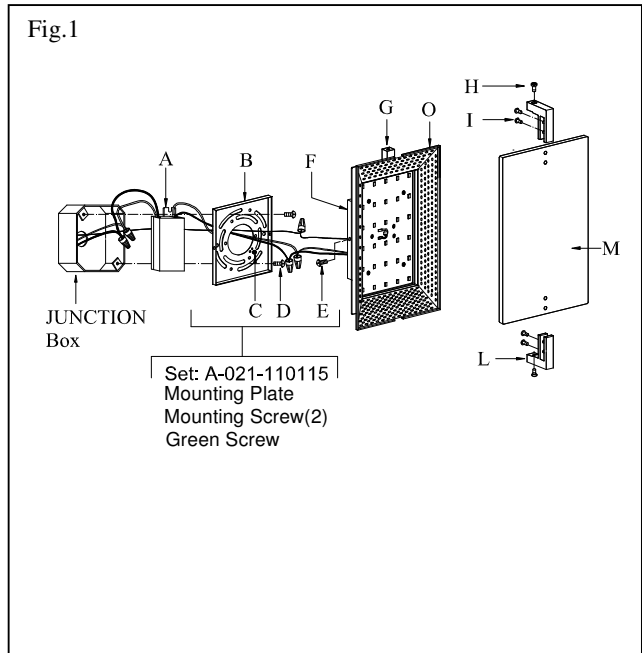
CAUTION / ATTENTION: When handling the fixture, do not apply pressure to the LED's. Hold the fixture by the base or front plate (o) only.

Replacing LED module (Fig. 3)

The LED module can be replaced by a qualified electrician without cutting of wire and without damage to any decorative element to which the fixture is attached. See installation steps for more details (Fig. 3)

3) Warning: Turn off power at the circuit breaker before replacing LED module or LED driver.

- a. Remove screws (H) on the holder (G) to remove the glass (M).
- b. Remove fixture (O) from mounting plate (B) and remove the wire nuts inside of front plate (F), remove screw (T) on fastener (U) to disconnect the LED module (P).
- c. Remove screws (S) to remove acrylic panel (R). Remove screws (Q) from fixture (O). Carefully remove the LED module (P) from fixture (O).
- d. Reverse steps a-c for installing the new LED module.
- e. Note: The LED module should be provided by a specified supplier.
- f. For better heat dissipation the LED module (P) should be applied with thermal grease when re-lamping.



MIN 75°C SUPPLY CONDUCTORS IMPORTANT:

Fixture should be installed by a qualified electrician to ensure proper wiring and installation. Dimmable with C-L (CFL & LED) type and Incandescent/Halogen type dimmers

Brand: Lutron			
Ordering Information <input type="checkbox"/> Boxed <input type="checkbox"/> Clamshell			
Model number	Product name	Control type	Maximum capacity
■ DVCL-153P-	Diva-C-L	Single-pole/3-way dimmer-	150 W CFL/LED or 600 W Incandescent/ Halogen 120 V
● DVCL-153PH-			
■ DVSCCL-153P-	Diva C-L Satin Colors		
■ CTCL-153P-			
● CTCL-153PH-			
■ AYCL-153P-	Ariadni C-L		
● AYCL153PH-			
● TTCL-100H-	Credenza C-L	Single-pole lamp dimmer	100W CFL/LED or 250W Incandescent/ Halogen 120v