

INSTALLATION INSTRUCTIONS FOR P1243-566-L

For Wall Mount Fixture Outdoor

WARNING! SHUT POWER OFF AT FUSE OR CIRCUIT BREAKER.

AVERTISSEMENT ! COUPER LE COURANT AU NIVEAU DES FUSIBLES OU DO DISJONCTEUR

PREPARING FOR INSTALLATION (Fig. 1)

1. Shut off power at the fuse box or circuit breaker box and remove the old fixture including the mounting hardware.
2. Carefully unpack your new fixture and lay out all the parts in a clear area. Take care not to misplace any small parts necessary for installation.

SUGGESTED INSTALLATION (Fig. 1)

3. Remove the two mounting screws (DD) and washers (EE) from the side of the fixture body (B) and remove the canopy (A).
 4. Remove the two screws (FF) from the front of the canopy (A) and remove the mounting plate (BB).
 5. Secure the mounting plate (BB) to the outlet box (not included) with the outlet box screws (CC).
- Note: the side of mounting plate marked "GND" must face out.

CONNECTING THE WIRES (Fig. 2)

6. Connect the electrical wires as shown in Fig.2 making sure that all wire connectors are secured. If your outlet box has a ground wire (green or bare copper), connect the fixture's ground wire to it. Otherwise, connect the fixture's ground wire directly to the mounting plate (BB) using the green screw (AA) provided. Tuck wires neatly back into the outlet box.

COMPLETING THE INSTALLATION (Fig. 1)

7. Attach the canopy (A) to the mounting plate (BB) and secure it with the screws (FF).
8. Attach the fixture body (B) to the canopy (A) and secure it with the mounting screws (DD) and washers (EE).
9. Adjust the fins (C) to the suitable angle you need.

Your installation is now complete. Return power to the junction box and test the fixture.

IMPORTANT: Fixture should be installed by a qualified electrician to ensure proper wiring and installation.

Dimmable with ELV and/or LED compatible wall dimmer switches.

Fig.1

set# A-020

- Mounting plate
- Ground screw
- Mounting screws*2pcs

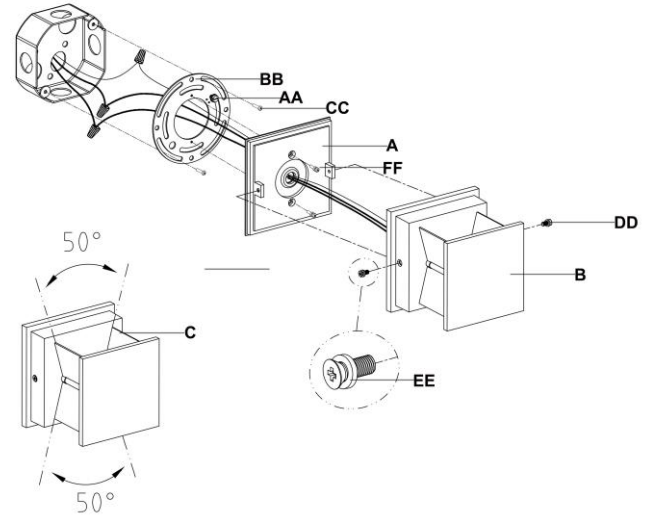


Fig. 2

