

# INSTALLATION INSTRUCTIONS

For Model # P1244-L

READ AND SAVE THESE INSTRUCTIONS

**WARNING! SHUT POWER OFF AT FUSE OR CIRCUIT BREAKER.**

**AVERTISSEMENT! COUPER LE COURANT AU NIVEAU DES FUSIBLES OU DU DISJONCTEUR.**

## PREPARING FOR INSTALLATION (Fig. 1)

1. Shut off power at the fuse box or circuit breaker box and remove the old fixture including the mounting hardware.
  2. Carefully unpack your new fixture and lay out all the parts in a clear area. Take care not to misplace any small parts necessary for installation.
  3. Unscrew the screws (G) and separate the mounting plate (B) (Part # A-020-150) from back plate (H).
  4. Attach the mounting plate (B) to the outlet box (not provided) with the two outlet box screws (C) (Size: 8-32\*1").
- Note: the side of mounting plate marked "GND" must face out.

## CONNECTION THE WIRES (Fig. 2)

5. Connect the electrical wires as shown in (Fig.2), making sure that all wire connectors (D) are secured. If your outlet has a ground wire (green or bare copper), connect the fixture ground wire to it. Otherwise, connect the fixture ground wire directly to the mounting plate using the green screw provided.

## FINISHING THE INSTALLATION (Fig.1)

6. Align back plate (H) onto mounting plate (B) and secure with the screws (G).
7. To prevent moisture from entering the outlet box and causing shortage, use clear caulking (i.e. Indoor/Outdoor Silicone Sealant) to outline the outside of fixture back-plate where it meets the wall leaving space at bottom to allow moisture a means to escape. (Fig.3)
8. Bulb information: (2 x AC LED 3W included)

**DO NOT EXCEED THE MAXIMUM WATTAGE RATING! (NE PAS DEPASSER LA PUISSANCE NOMINALE MAXIMALE!)**

Your installation is now complete. Return power to the junction box and test the fixture.

### Remark:

Fixture cage (I) and panel (F) can be adjusted as Fig.4 showed.



**IMPORTANT: FIXTURE SHOULD BE INSTALLED BY A QUALIFIED ELECTRICIAN TO ENSURE PROPER WIRING AND INSTALLATION.**

Fig.1

Mounting plate(1)(Part#A-020-150)  
Ground screw (1)  
Mounting screw (2)

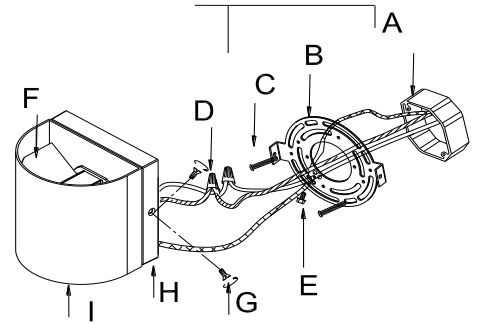


Fig.2

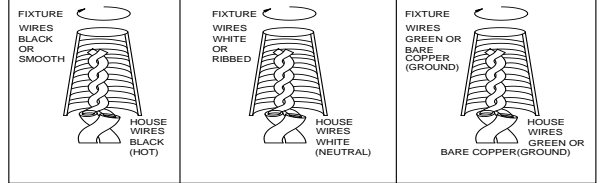


Fig. 3

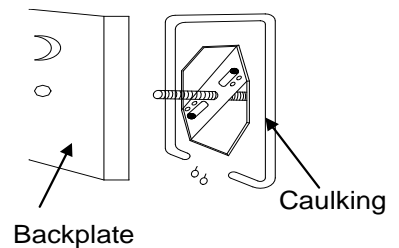


Fig.4

