

INSTALLATION INSTRUCTIONS

Item# P1335-780

READ AND SAVE THESE INSTRUCTIONS

WARNING! SHUT POWER OFF AT FUSE OR CIRCUIT BREAKER.
VERTISEMENT! COUPER LE COURANT AU NIVEAU DES FUSIBLES OU DU DISJONCTEUR.

ASSEMBLING THE FIXTURE (Fig. 1)

1. Shut off power at the fuse box or circuit breaker box and remove the old fixture including the mounting hardware.
2. Carefully unpack your new fixture and lay out all the parts in a clean area. Ensure not to misplace any small parts necessary for installation.
3. Your fixture is supplied with 2 sizes of stem, 2x6" (L) and 6x12" (K)
4. To begin assembly of your fixture, first slip fixture's body (fr) along wire and nipple (1) cluster assembly and lock with knurled nut (2) to secure.
5. Slip stem (N) through wires and thread onto nipple (1) and tighten.
6. Thread stem (M) onto nipple (3) and tighten then slip through wires.
7. Determine the hanging height, then assemble the stems (L, K3, K2, & K1) with the loop then let the wires pass through and then thread stem assembly onto nipple (4) to secure to sub canopy (SC).
8. Connect the 4x stem hook (O) to fixture's body (fr) and sub canopy (SC) to prepare to hang the fixture.

HANGING THE FIXTURE (Fig. 2)

9. Thread all thread (D) into crossbar. Note, the length of all thread (D) into crossbar may be adjusted if necessary.
10. Use lock washer (B) and hex nut (E) to secure all thread (D) to crossbar (A).
11. Take crossbar assembly and mount to junction box (JB) "not provided" with 8-32 mounting screws. The side of mounting bar (A) marked with "GND" must be face out. Note: 2x of quick link are provided.
12. The support cable is provided to support the weight of the fixture. Align fixture to crossbar (A) and attach hook (HK) to a slot located on crossbar (A). Allow cable to support weight of fixture while wiring.

CONNECTING THE WIRE (Fig. 3)

13. Connect the electrical wire as shown in Fig. 3, making sure that all the wire connectors are secured. If your junction box has a ground wire (green, or bare copper), connect fixture's ground wire to it. Otherwise connect fixture ground wire directly to crossbar (A) using green screw provided.
14. Tuck wire connections neatly into junction box (JB).
15. To mount the fixture to the ceiling, first slip the threaded tube (D) through the mounting holes (G) in the canopy (F), then thread the cap nut (H) at the end of all thread (D), and tighten.

FINISHING THE FIXTURE (Fig. 1)

16. Install 6x E12 base light bulbs (LB) up to 60 watts each or CFL or LED equivalent (not included) in accordance with the fixture specification.

DO NOT EXCEED THE MAXIMUM WATTAGE RATING!
(NE PAS DEPASSER LA PUISSANCE NOMINALE MAXIMALE!)

Your installation is now complete. You can now turn the power ON and test the fixture.

Note: Illustration (Fig. 1) on this manual is for installation purposes only. It may or may not be identical to the fixture purchased.

FIG. 1

Set# A
-Crossbar
-Ground screw
-Mounting Screw *2

ROD #
W35-1-780*6
W35-H-780*2 (L)

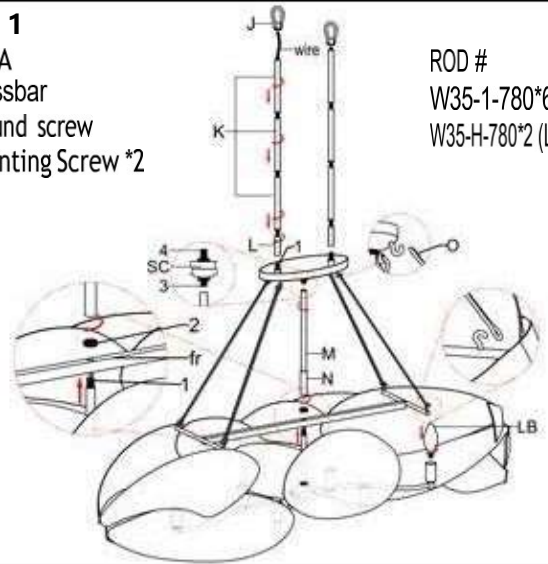


FIG. 2

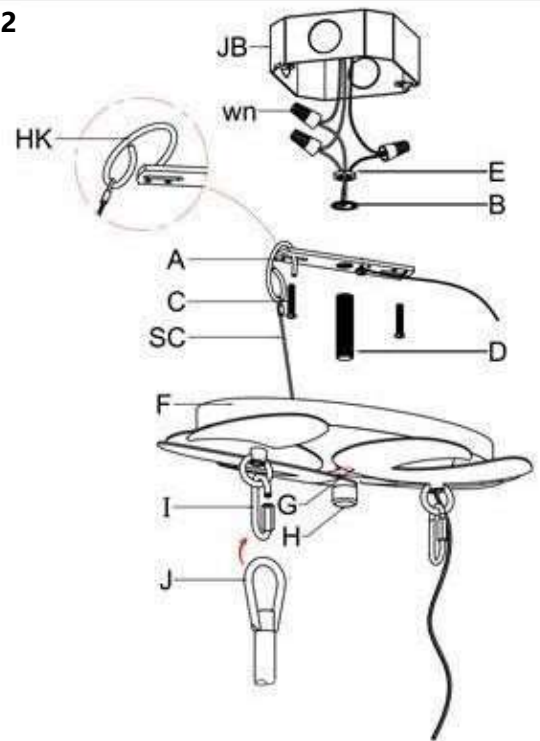


Fig. 3

FIXTURE WIRES
Black or Smooth



HOUSE WIRES
Black (Hot)

FIXTURE WIRES
White or Ribbed



HOUSE WIRES
White (Neutral)

FIXTURE WIRES
Bare Copper (Ground)



HOUSE WIRES
Green (Ground)

