

INSTALLATION INSTRUCTIONS FOR P1340-L

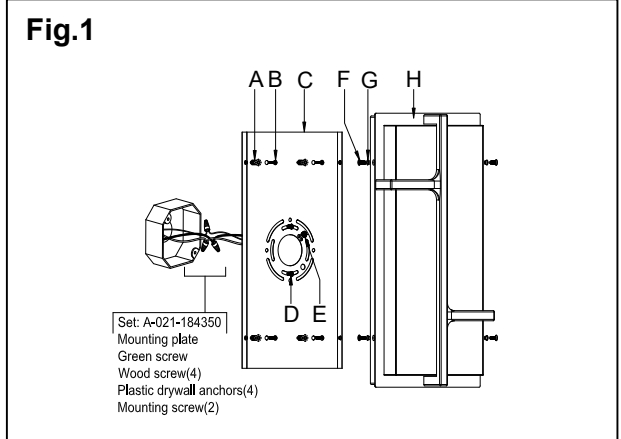
For Wall Sconce Fixture

READ AND SAVE THESE INSTRUCTIONS

WARNING! SHUT POWER OFF AT FUSE OR CIRCUIT BREAKER
AVERTISSEMENT! COUPER LE COURANT AU NIVEAU DES FUSIBLES OU DO DISJONCTEU

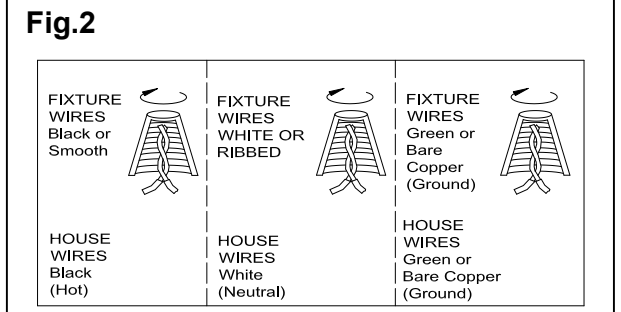
ASSEMBLING THE FIXTURE (Fig.1)

1. Shut off power at the fuse box or circuit breaker box. If necessary remove the existing fixture and its mounting hardware.
2. Carefully remove the new fixture from the carton and check that all parts are included as shown in the illustration.
3. Position mounting plate (C) on the wall, and mark the location of the two drywall anchors (A). Pre-drill the holes for the drywall anchors (A) and insert the drywall anchors (A) into the wall.
4. Attach the mounting plate (C) to the junction box using junction box screws (D) (Size: 8-32*1/2"L). The side of the mounting plate marked "GND" must face out.
5. Place the wood screws (B) through the holes of the mounting plate (B) and into the drywall anchors (A) to secure the mounting plate (C) to the wall.



CONNECTION THE WIRES (Fig.2)

6. Connect the electrical wires as shown in Fig.2, making sure that all wire nuts are secured. If your outlet has a ground wire (green or bare copper), connect the fixture's ground Wire to it. Otherwise, connect the fixture's ground wire directly to the mounting plate using the green screw (E) provided. Tuck the wire connections neatly into the junction box.



FINISHING THE INSTALLATION (Fig.1)

7. Align fixture (H) onto mounting plate (C) and secure with screws (F) and rubber washers (G).
8. To prevent moisture from entering the outlet box and causing a short circuit, use clear caulking (i.e. Indoor/Outdoor silicone sealant) to outline the outside of fixture back plate where it meets the wall leaving a space at bottom to allow moisture a means to escape (Fig.3).

Your installation is now complete. Return power to the junction box and test the fixture.

CAUTION /ATTENTION: When handling the fixture, do not apply pressure to the LEDs. Hold the fixture by the base or back plate (H) only.

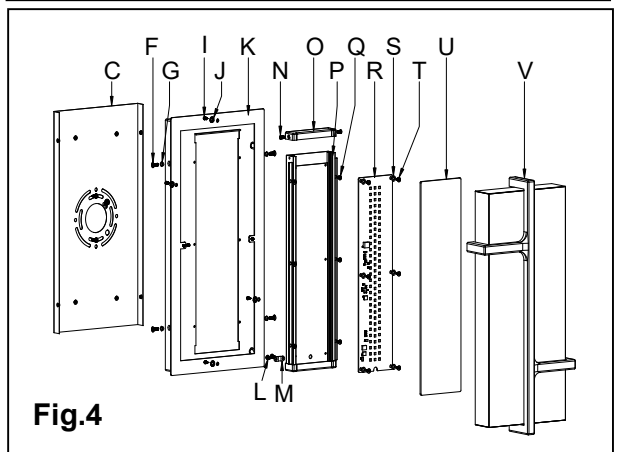
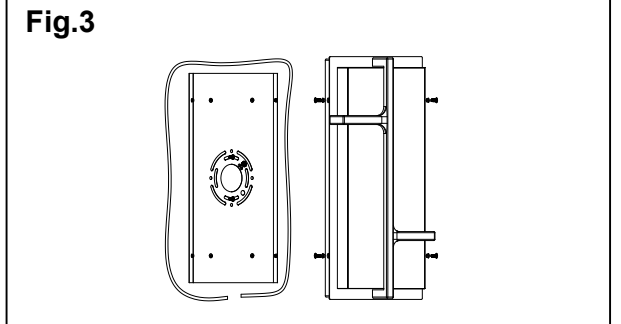
Replacing LED module (Fig.4)

The LED module can be replaced by a qualified electrician without cutting of wire and without damage to any decorative element to which the fixture is attached. See installation steps for more details (Fig.4)

Warning: Turn off power at the circuit breaker before replacing LED module.

- a. To remove the fixture from the wall: Loosen screws (F) and remove rubber washers (G). Disconnect the wire connectors and place the fixture on a clear flat surface. (Fig.1)
- b. Loosen screws (I), remove the Waser(J) and the glass shade (V).
- c. Loosen screws (Q), remove protective case (P). Remove the waterproof silicon on the protective case (P), loosen screws (N) remove cap (O) and diffuser (U).
- d. Loosen screws (T), rubber washers (S), screws (L) and wire fastener (M). Carefully remove LED module (R).
- e. Reverse steps a-d for installing the new LED module.

Note: The LED module should be provided by a specified supplier.



IMPORTANT: Fixture should be installed by a qualified electrician to ensure proper wiring and installation.

Dimmable with ELV and/or LED compatible wall dimmer switches.