

# INSTALLATION INSTRUCTIONS FOR P1382-077-L/P1383-077-L/P1384-077-L

## For Wall Mount Fixture

**WARNING! SHUT POWER OFF AT FUSE OR CIRCUIT BREAKER.**

**AVERTISSEMENT! COUPER LE COURANT AU NIVEAU DES FUSIBLES OU DO DISJONCTEUR.**

### PREPARATION

1. Shut off power at the fuse box or circuit breaker box. If necessary remove the old fixture and mounting hardware.
2. Carefully unpack your new fixture and lay out all the parts on a clear area. Take care not to lose any small parts necessary for installation.

### MOUNTING THE FIXTURE (FIG. 1)

3. Align the glass (K) to the metal arm (I), tighten with washer (J), gasket (O) and screw (L). Fix the metal arm (I) to the bracket (N) by screw (M). Use the "key holes" located on the mounting plate (B) as a template to mark the location of the plastic anchors (D) and pre-drill two holes
4. Install the plastic anchors (D) into the wall.
5. Secure mounting plate (B) to junction box (A) using junction boxes screws (C) (Size: 8-32\*1/2"L). The side of the mounting back plate marked "GND" must face out.
6. Align the "key holes" on the mounting plate (B) to the plastic anchors (D) and secure with screws (E).

### CONNECTING THE WIRES (FIG. 2)

7. At this point, connect the electrical wires as shown in Fig. 2, making sure that all wire connectors are secured. If your outlet has a ground wire (green or bare copper), connect the fixtures ground wire to it. Otherwise, connect the fixture ground wire directly to the mounting plate (B) using the green screw (G) provided. After wires are connected, tuck them carefully inside the junction box.

### COMPLETING THE INSTALLATION (Fig. 1)

8. Install the bracket (Z) into mounting plate (B) using screw (H).

Your installation is now completed. Return power to the junction box and test the fixture.

**CAUTION /ATTENTION:** When handling the fixture, do not apply pressure to the LEDs. Hold the fixture by the base or bracket.

### Replacing LED module (Fig. 3)

The LED module can be replaced by a qualified electrician without cutting of wire and without damage to any decorative element to which the fixture is attached. See installation steps for more details (Fig 3.)

- a. Shut off power. Remove the fixture from the wall.
- b. Remove the screw (P) to disconnect the heat sink (W) from the bracket.
- c. Remove screw (U) and use a pin to press the hole on the quick connector (X) to disconnect LED module.
- d. Reverse steps a-c for installing the new LED module.

Note: The LED module should be provided by a specified supplier.

**IMPORTANT:** Fixture should be installed by a qualified electrician to ensure proper wiring and installation.

**Dimmable with ELV dimmer switches.**

FIG.1

Set #

P1382-077-L : A-021-341113

P1383-077-L : A-021-564113A

P1384-077-L : A-021-803113

- Mounting plate
- Ground screw
- Mounting screw\*2pcs

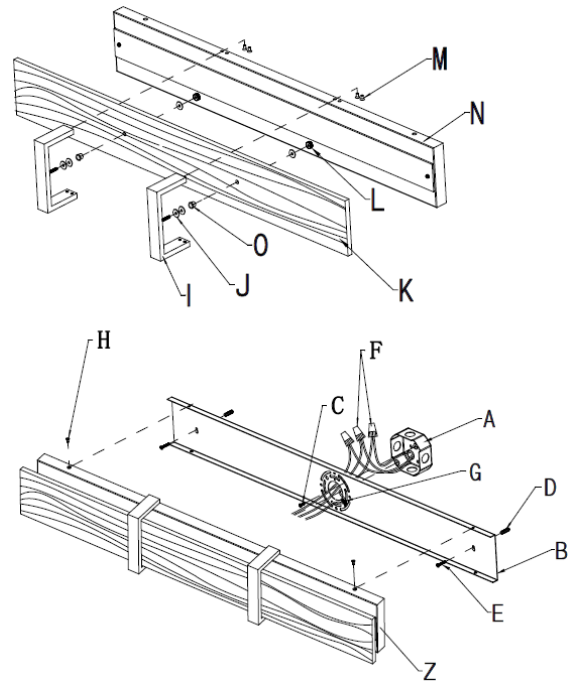


Fig.2

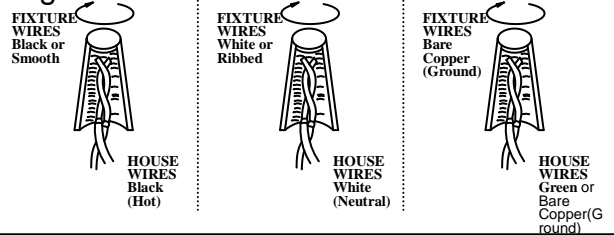


Fig.3

