

# INSTALLATION INSTRUCTIONS

For item#P1496-712 (New. 10/30/2019)

## READ AND SAVE THESE INSTRUCTIONS

**WARNING! SHUT POWER OFF AT FUSE OR CIRCUIT BREAKER.**

**AVERTISSEMENT! COUPER LE COURANT AU NIVEAU DES FUSIBLES OU DU DISJONCTEUR.**

### PREPARING FOR INSTALLATION (Fig. 1)

1. Shut off power at the fuse box or circuit breaker box and remove the old fixture including the mounting hardware.
2. Carefully unpack your new fixture and lay out all the parts in a clean area. Take care not to misplace any small parts necessary for installation.
3. Slide metal tubes (J) to the fixture (L) and secure with screws (K).
4. Determine the desired hanging height and thread rods (F1, F2 and F3) to the threaded nipple (I) attached to the metal tube (J). Then screw loop (H1) to rod (F1). Passing the wires carefully through each rod as you assemble.
5. Attach quick link (G) to loop (H1) and loop (H2) on the canopy (D), carefully feed the wire over loop (H1), quick link (G), and loop (H2).
6. Position the mounting plate (C) on the ceiling, and mark location of the two mounting holes. Drill the holes on the wall, and then insert the plastic anchors (A).
7. Attach the mounting plate (C) to the junction box using mounting screws (B) (Size: #8-32N\*L0.5"). The side of the mounting plate marked "GND" must face out.
8. Secure the mounting plate (C) by inserting the wood screws (D) through the holes on the mounting plate into the plastic anchors (A).
9. The support cable is provided to support the weight of the fixture while wiring. Align the fixture to mounting plate (C) and attach hook on the end of support cable (P) into a slot located on mounting plate (C). Carefully allow the support cable (P) to support the weight of the fixture while wiring.

### CONNECTING THE WIRES (Fig. 2)

10. Connect the electrical wires as shown in figure 2, making sure that all wire connectors are secured. If your outlet has a ground wire (green or bare copper), connect the fixture's ground wire to it. Otherwise, connect the fixture's ground wire directly to the mounting plate (C) using the green screw provided.
11. Tuck the wire connectors neatly into the ceiling junction box.

### COMPLETING THE INSTALLATION (Fig. 1)

12. Raise the canopy (E) over the mounting plate (C) and secure with screws (F).
13. Slide the candle covers (O) over the sockets (N) of the fixture body (L).
14. Install (6) six candelabra base bulbs (M) up to 60 watts **each** or CFL or LED equivalent (not included) in accordance with the fixture specification — **DO NOT EXCEED THE MAXIMUM WATTAGE RATING! (NE PAS DEPASSER LA PUISSANCE NOMINALE MAXIMALE!)**.

Your installation is now complete. Return power to the outlet box and test the fixture.

**Note: Illustration (Fig. 1) on this manual is for installation purposes only. It may or may not be identical to the fixture purchased.**

Fig. 1

Set#A-021-218119

- Mounting Plate
- Ground screw
- Mounting Screw\*2

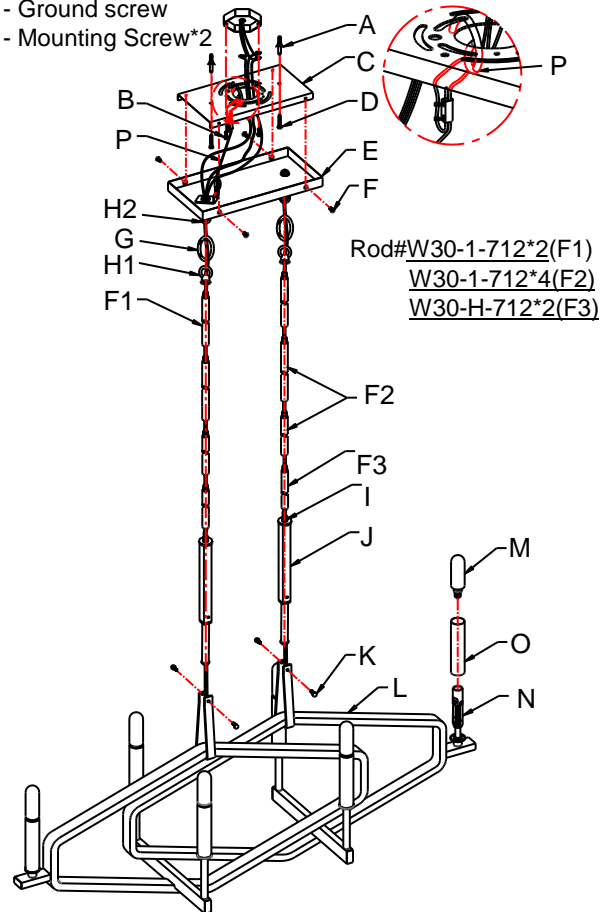
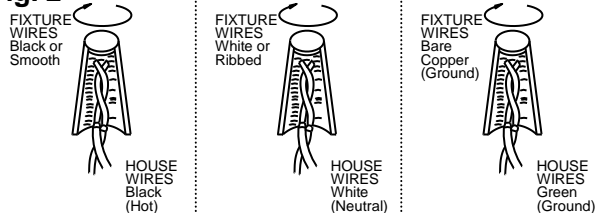


Fig. 2



**IMPORTANT: FIXTURE SHOULD BE INSTALLED BY A QUALIFIED ELECTRICIAN TO ENSURE PROPER WIRING AND INSTALLATION.**

