

INSTALLATION INSTRUCTIONS

Item#P1532/P1533/P1534-084/248-L (New. 04/13/2020)

READ AND SAVE THESE INSTRUCTIONS

WARNING! SHUT POWER OFF AT FUSE OR CIRCUIT BREAKER.

AVERTISSEMENT ! COUPER LE COURANT AU NIVEAU DES FUSIBLES OU DO DISJONCTEUR.

PREPARATION (Fig.1)

1. Shut off power at the fuse box or circuit breaker box and remove the old fixture including the mounting hardware.
2. Carefully unpack your new fixture and lay out all the parts in a clear area. Take care not to misplace any small parts necessary for installation.
3. Place the glass assembly (G) on the back plate (C) and secure by using screws (E).
4. Secure glass assembly (G) to decorative bottom plate (F) with screws (H). Attach magnetic cover (K) over decorative bottom plate.
5. Secure mounting plate (A) to the outlet box using junction box screws (B) (Size: 8-32*1/2"L). The side of the mounting plate marked "GND" must face out.

CONNECTING THE WIRES (FIG. 2)

6. Connect the electrical wires as shown in Fig. 2, making sure that all wire connectors are secured. If your outlet has a ground wire (green or bare copper), connect the fixtures ground wire to it. Otherwise, connect the fixture ground wire directly to the mounting plate (A) using the green screw provided.
7. After wires are connected, tuck them carefully inside the junction box.
8. Align fixture back plate (C) onto mounting plate (A) and secure with screws (D).

CAUTION/ATTENTION: When handling the fixture, do not apply pressure to the LEDs. Hold the fixture by the base only.

Replacing LED module (Fig. 3)

The LED module can be replaced by a qualified electrician without cutting of wire and without damage to any decorative element to which the fixture is attached. See installation steps for more details (Fig 3.)

- a. Shut off the power.
- b. Remove screws (D) and carefully separate the fixture from the mounting plate(A). Disconnect the wire connectors and place fixture body on a clean surface.
- c. Remove the cover (K) from the glass assembly (G).
- d. Loosen the screws (E) (H) and remove the glass assembly (G) from the fixture body.
- e. Press the button of the printed "L" quick connector on LED module (I) with screwdriver (not included) to disconnected the black wire, and then disconnect the white wire from the printed "N" quick connector on LED module (I).
- f. Loosen the screws (J) and carefully remove the LED module (I).
- g. Reverse steps b-f for installing the new LED module.

Note: The LED module should be provided by a specified supplier.

For better heat dissipation the LED module (I) should be applied with thermal grease when re-lamping.

Fig. 1

Set#A-021-122115
-Mounting Plate
-Ground Screw
-Mounting Screw*2

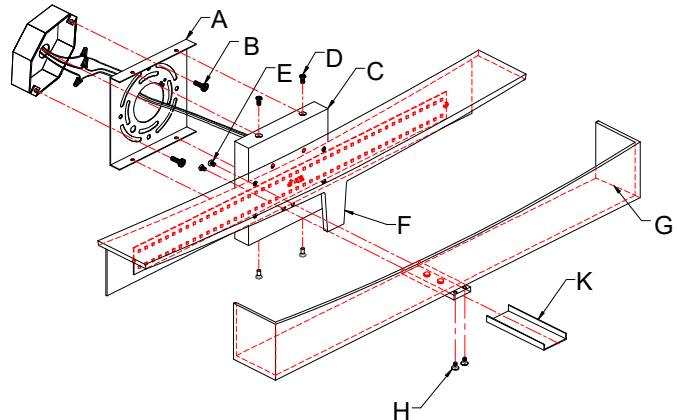


Fig. 2

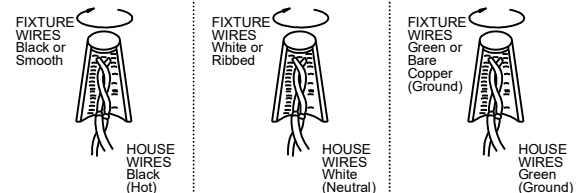
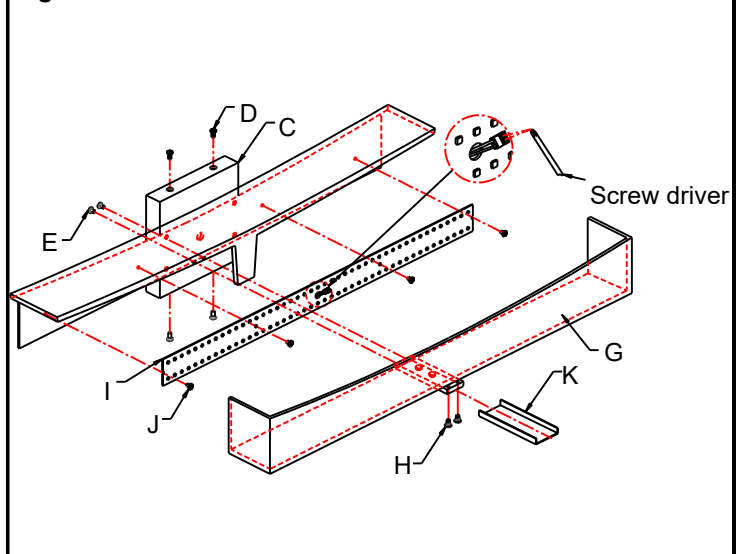


Fig. 3



IMPORTANT: Fixture should be installed by a qualified electrician to ensure proper wiring and installation.

Dimmable with ELV and/or LED compatible wall dimmer switches.

LA-3232E

