

INSTALLATION INSTRUCTIONS

Item#P1554-66A-L (Rev. 05/09/2023)

READ AND SAVE THESE INSTRUCTIONS

PREPARATION

1. Carefully remove the fixture from the carton and check that all parts are included as shown in the illustration.
2. Shut off power at the circuit breaker and remove the old fixture including the mounting hardware.

MOUNTING THE FIXTURE (Fig. 1)

3. Attach mounting plate (A) to the outlet box (not included) using mounting screws (B) (Size: #8-32N*L1"L) as shown in Fig.1. Note: The side of mounting plate (A) marked "GND" must face out.
4. Pass the wires carefully through canopy assembly (C). Then tighten canopy assembly (C) to coupling (E) until secure.

CONNECTION THE WIRES (Fig. 2)

5. Connect the electrical wires as shown in Fig.2, making sure that all wire connectors are secured. If your outlet has a ground wire (green or bare copper), connect the fixture's ground wire to it. Otherwise, connect the fixture's ground wire directly to the mounting plate (A) using the green screw provided. After wires are connected, tuck them carefully inside the outlet box.

FINISHING THE INSTALLATION (Fig. 1)

6. Align the canopy assembly (C) over the mounting plate (A) and secure with screws (D).

Replacing LED module (Fig.3)

The LED module can be replaced by a qualified electrician without cutting of wire and without damage to any decorative element to which the fixture is attached. See installation steps for more details

(Fig 3.)

- a. Shut off the power.
- b. Remove screws (D) and disconnect wire connectors and place fixture body on a clean surface. (Fig1)
- c. Remove decorative nuts (F), loosen screws (G), and remove bottom frame.
- d. Remove screws (J) and metal caps (H) from the fixture body and remove glass (K).
- e. Press the button with printed "L" quick connector on LED module (L) with screwdriver (not included) to disconnect the black wire and then disconnect the white wire from the printed "N" quick connector on LED module (L). Carefully remove LED module (L) from the base.
- f. Reverse steps a-e for installing the new LED module.

Your installation is now complete. Return power to the outlet box and test the fixture.

Note: The illustration in figure 1 on this manual is for installation purposes only. It may or may not be identical to the fixture purchased.

Dimmable with ELV and/or LED compatible wall dimmer switches.

Fig. 1

Set# A-020-120D
- Mounting plate
- Ground screw
- Mounting Screw*2

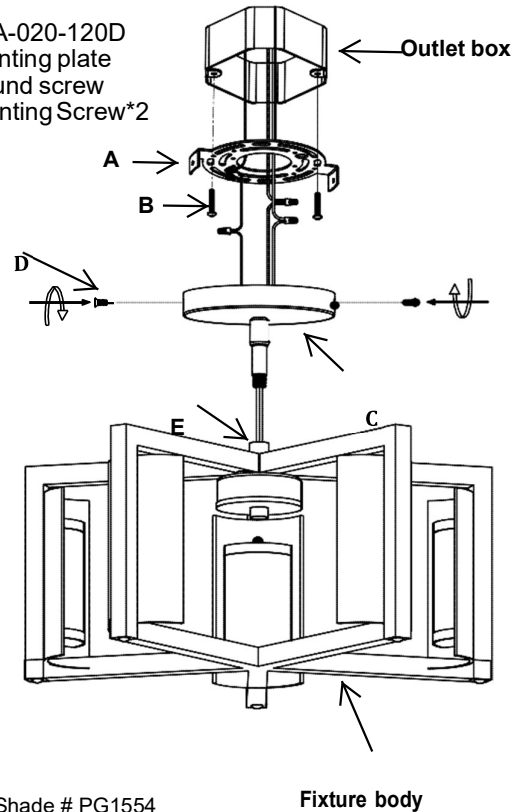


Fig. 2

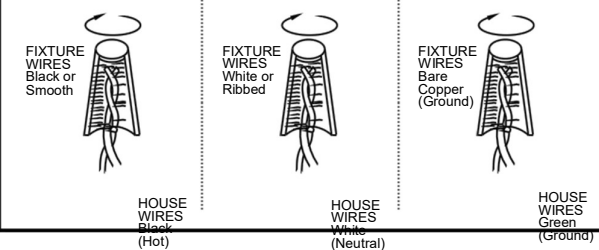
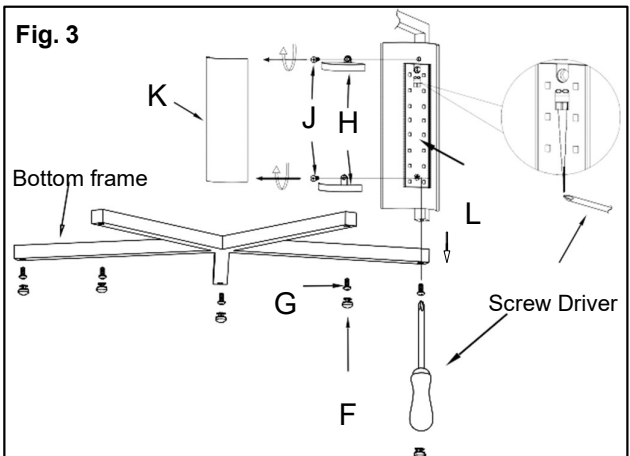


Fig. 3



american
lighting

