

INSTALLATION INSTRUCTIONS FOR P1723-084-L FOR LED PENDANT LIGHT

WARNING! SHUT POWER OFF AT FUSE OR CIRCUIT BREAKER.

AVERTISSEMENT ! COUPER LE COURANT AU NIVEAU DES FUSIBLES OU DO DISJONCTEUR

HANGING THE FIXTURE (Fig. 1)

1. Carefully remove the fixture from the carton and check that all parts are included as shown in the illustration.
2. Shut off power at the circuit breaker and remove old fixture including the mounting hardware

SUGGESTED INSTALLATION (Fig. 2)

3. Attach L-shape hook(I) into shade PC1723 (J) and align them with holes on fixture body (X), then tighten with screws (H).
4. Attach the Mounting Plate (B) to the Junction box using Screws (C) as the direction on Fig. 2.
5. Determine length desired and thread Rod (F1,F2,F3) to base (M), then place the Canopy (G) over the Rods (F1) and thread the Hanger Ball (D) to Rods (F1). Please remove nipple if install one 6" rod only.
6. While holding the fixture body, attach the Hanger Ball (D) onto the slot of Mounting Plate (B) and turn to lock into position.

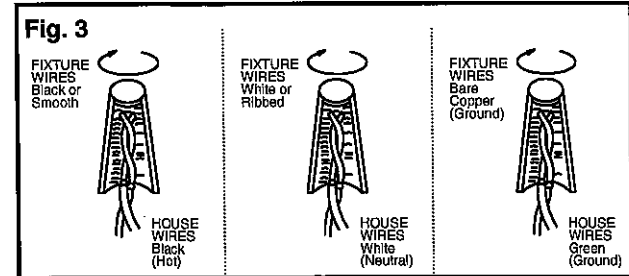
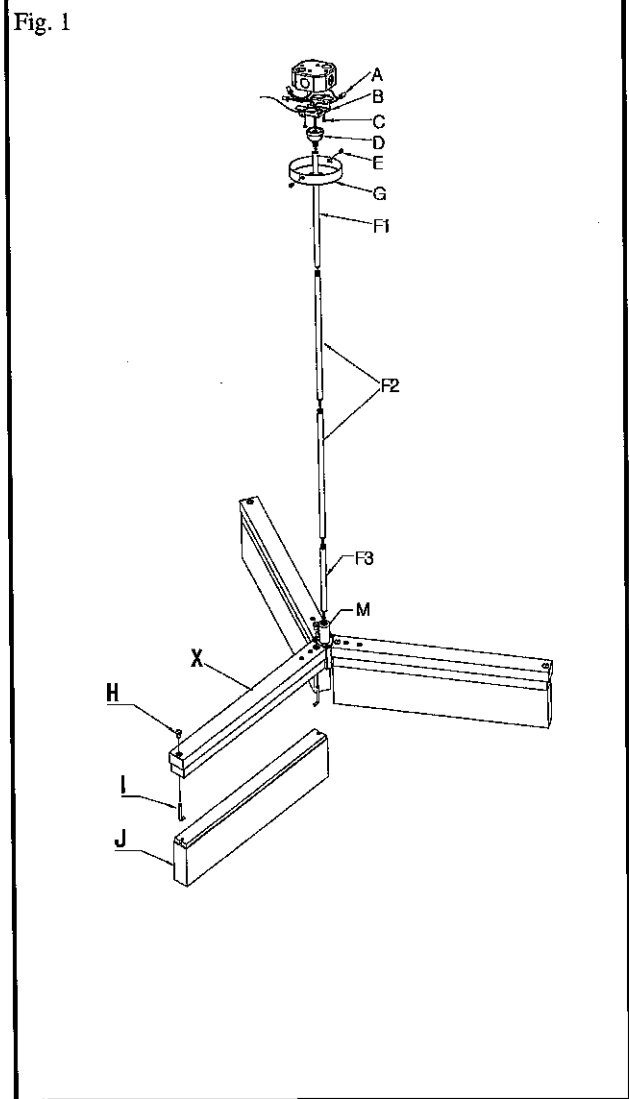
CONNECTING THE WIRES (Fig. 3)

7. At this point, connect the electrical wire as shown in figure 3, making sure that all wire connectors are secured. If your outlet has a ground wire (green or bare copper), connect the Ground Wires from Hanger ball and mounting plate to it. Otherwise, connect the Ground Wire from hanger ball directly to the mounting plate Ground wires together and secure with wire connectors provided.
8. After wires are connected, tuck them carefully into the ceiling junction box, then place Canopy (G) over the Mounting Plate (B) and secure it against ceiling with Screws (E).

COMPLETING THE INSTALLATION (Fig. 1)

Your installation is now complete. Return power to the junction box and test the fixture.

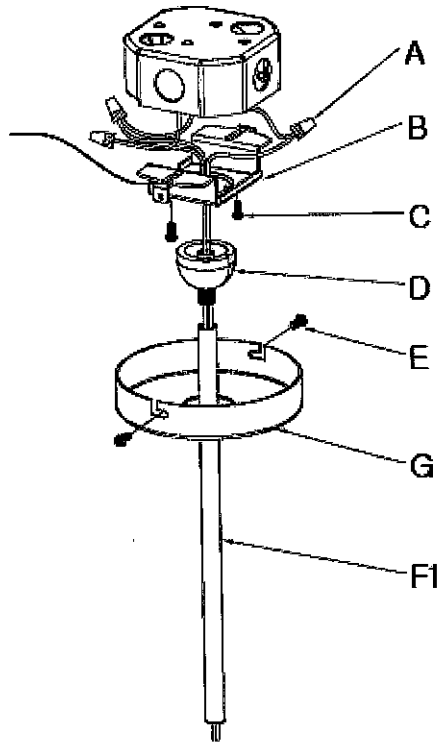
CAUTION /ATTENTION: When handling shade PC1723 (J) with gloves attached. And if acrylic were dirty, use clean water to wash and make it dry.



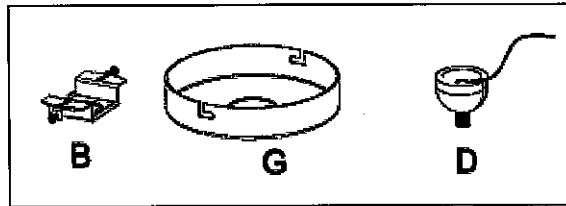
I/M _____
 FINAL *3/4/16*



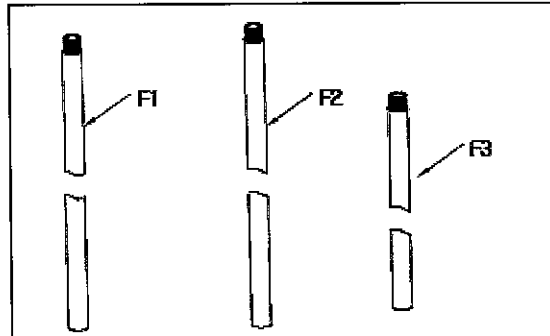
FIG 2



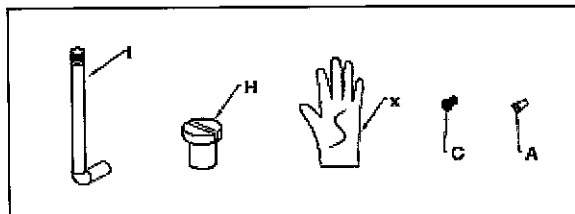
a. Hardware Bag:
 B.Mounting Plate*1
 G.Canopy*1
 D.Hanger Ball*1



b. Hardware Bag:
 F1.Rod 12**1
 F2.Rod 12**2
 F3.Rod 6**1



c. Hardware Bag:
 I.L-shape hook*6
 H.Screws*6
 X.Gloves*2
 C.Screw*2
 A.Wire Connector*3



Replacing LED module (Fig. 4)

The LED module can be replaced by a qualified electrician without cutting of wire and without damage to any decorative element to which the fixture is attached. See installation steps for more details (Fig.4.)

- a. Shut off power. Remove screws (H) and L-shape hooks (I) to disconnect shade PC1723 (J).
- b. Unscrew (N) to take out of cover (Q) and bracket (L), remove the diffuser (O)
- c. Remove the wires from connector on LED module by lightly pressing on the release button (Y) located on the top of the wire connector.
- d. Carefully remove screws (P), washers to disconnect the LED module from the heat sink
- e. Reverse steps a-d for installing the new LED module.
- f. **Note:** The LED module should be provided by a specified supplier.
- g. For better heat dissipation the LED module should be applied with thermal grease when re-lamping.

IMPORTANT: Fixture should be installed by a qualified electrician to ensure proper wiring and installation.
Dimmable with ELV and/or LED compatible wall dimmer switches.

Fig.4

