

INSTALLATION INSTRUCTIONS FOR FIXTURE #P1834-077

WARNING! SHUT POWER OFF AT FUSE OR CIRCUIT BREAKER.
AVERTISSEMENT! COUPER LE COURANT AU NIVEAU DES FUSIBLES OU DU DISJONCTEUR.

ASSEMBLING THE FIXTURE (FIG. 1)

1. Shut off the power supply at the fuse box or circuit breaker. If necessary, remove the old fixture from ceiling including the mounting hardware.
2. Carefully remove the new fixture from the packaging and check that all parts are included as shown in the illustration.
3. Attach the mounting plate (A) to the outlet box using the outlet box screws (B) as the direction on Fig. 3.
4. Determine length desired and thread rod (F1, F2, F3) to the coupling (H), then place the canopy (C) over the rods (F) and thread the hanger ball (E) to the rods (F).
5. While holding the fixture body, attach the hanger ball (E) onto the slot of mounting plate (A) and turn to lock into position.
6. Connect the electrical wires as shown in Fig. 2, making sure that all wire connectors are secured. If your outlet box has a ground wire (green or bare copper), connect the ground wire from the fixture to it. Otherwise, connect the fixture's ground wire directly to the mounting bracket using the green screw provided.
7. After wires are connected, tuck them carefully into the ceiling outlet box, then place canopy (C) over the mounting plate (A) and secure it against ceiling with screws (D).
8. Install the bulb in accordance with the fixture's specifications. **(DO NOT EXCEED THE MAXIMUM WATTAGE RATING!)**
(NE PAS DEPASSER LA PUISSANCE NOMINALE MAXIMALE!).
9. Place the glass shade (L) to bottom of the cup (I) and secure with screws (J).
10. Slide the cap (G) over the cup (I).

Your installation is now complete. Return power to the outlet box and test the fixture.

Fig. 1

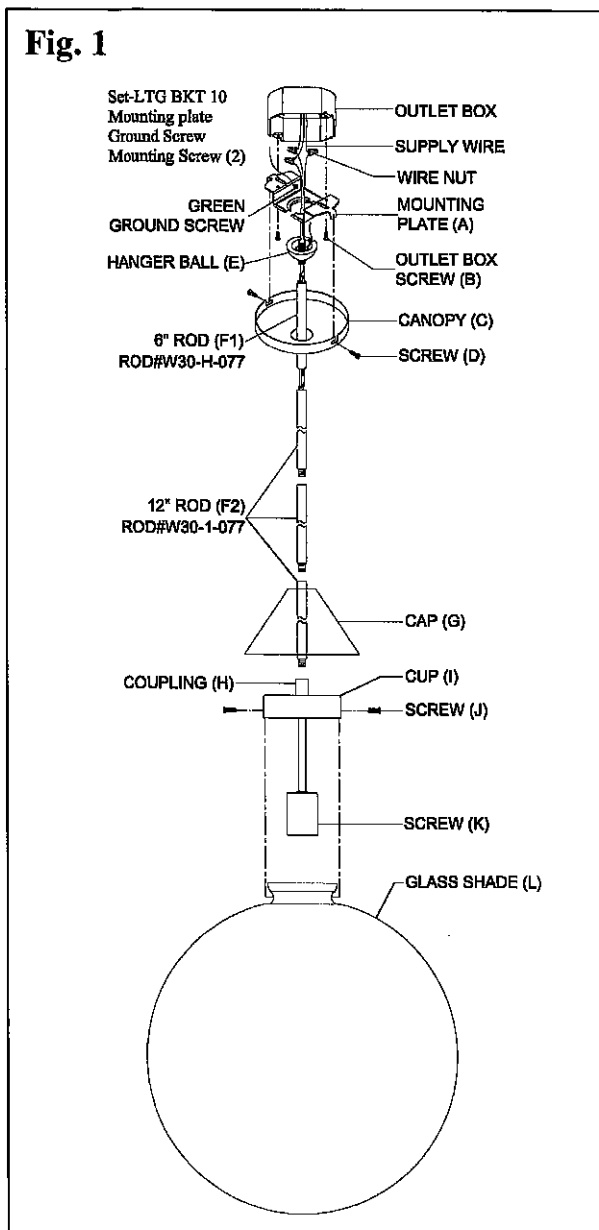


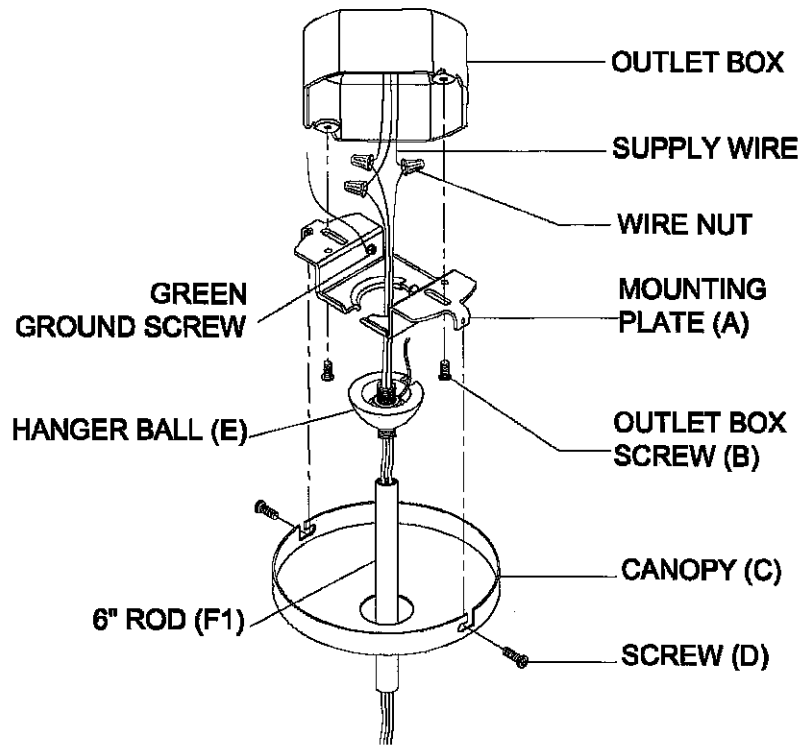
Fig. 2

FIXTURE WIRES Black or Smooth		FIXTURE WIRES White or Ribbed		FIXTURE WIRES Bare Copper (Ground)	
HOUSE WIRES Black (Hot)	HOUSE WIRES White (Neutral)	HOUSE WIRES Green (Ground)			



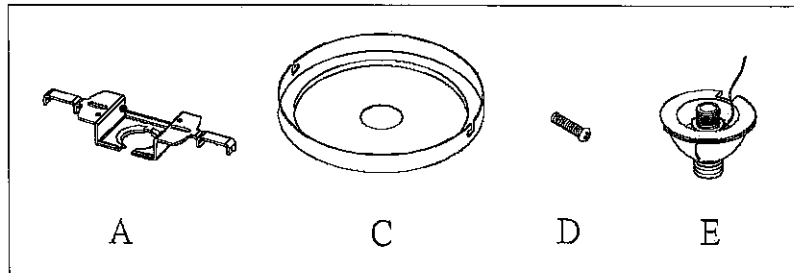
american
lighting
association

Fig. 3



a. Hardware Bag:

- A. Mounting Plate*1
- C. Canopy*1
- D. Screw*2
- E. Hanger Ball*1



b. Hardware Bag:

- F1. ROD 6"*1
- F2. ROD 12"*3

