

Installation Instruction

For Table Lamp
Model#P1879-66A-L

WARNING

- Risk of shock, do not plug in the unit before assembly is complete.
- Do not exceed the maximum wattage rating.
(Ne pas dépasser la puissance nominale maximale!)
- Before turning on, please follow the instruction manual step by step.

INSTALLATION

1. Carefully unpack your new lamp and place all parts on a smooth, flat surface to protect the finish until ready to install.
2. Vertically insert the lamp body into the base. Tighten screw and lock washer with wrench included.
3. Plug the adapter into the lamp body.
4. Adjust arm location as desired, plug the adapter into socket and test the new lamp.

FUNCTIONAL DESCRIPTION

Please touch the screen panel as below instruction.

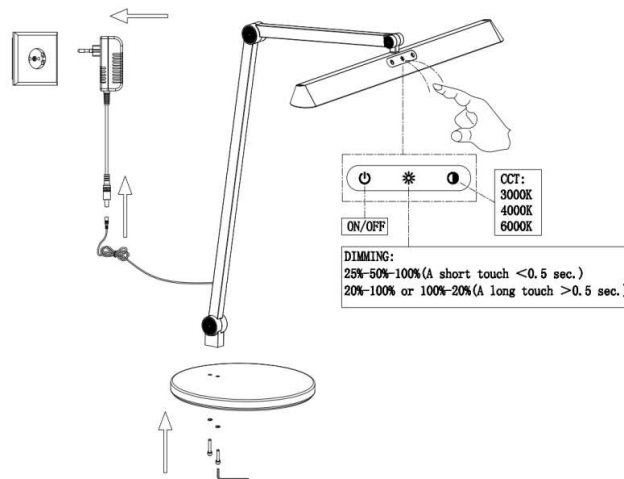
1. ☰: ON/OFF switch: To turn on or turn off the lamp.
2. ✱: Dimmer switch:
A short touch (<0.5 sec.): 25%-50%-100%
A long touch (> 0.5 sec.): Light adjust from 100% to 20% and vice versa.
3. ●: CCT switch: To change the color temperature of light to 3000K-4000K-6000K.

This switch has an auto-resume feature when power on, it will stay at the same brightness as the last time it was turn off.

IMPORTANT SAFETY INSTRUCTIONS

- Never use with an extension cord unless the plug can be fully inserted.
- Do not change or alter.

MADE IN CHINA



**IMPORTANT: FIXTURE SHOULD BE INSTALLED BY
A QUALIFIED ELECTRICIAN TO ENSURE PROPER
WIRING AND INSTALLATION.**