

INSTALLATION INSTRUCTIONS

For Model: P1881-066-L/P1882-066-L

READ AND SAVE THESE INSTRUCTIONS

WARNING! SHUT POWER OFF AT FUSE OR CIRCUIT BREAKER.

AVERTISSEMENT! COUPER LE COURANT AU NIVEAU DES FUSIBLES OU DU DISJONCTEUR.

PREPARING FOR INSTALLATION (Fig. 1)

1. Shut off the power at the circuit breaker and remove the old fixture, including the mounting hardware.
2. Carefully unpack your new fixture and lay out all the parts on a clear area. take care not to lose any small parts necessary for installation.
3. Unscrew screws (E) and remove rubber washers (F). Separate mounting plate (C) (part #: A-021-101) from back plate (G), then attach mounting plate (C) to outlet box (A) (not included) with outlet box screws (D) (size:8-32*1/2") Note: The side of mounting plate (C) marked "GND" must face out.

CONNECTING THE WIRES (Fig. 2)

4. Connect the electrical wires as shown in Fig.2. Making sure that all wire connectors (B) are secured. If your outlet box has a ground wire (green or bare copper), connect the fixture's ground wire to it. Otherwise, connect the fixture's ground wire directly to the mounting plate (C) using the green screw provided.

COMPLETING THE INSTALLATION (Fig.1)

5. Align back plate (G) to mounting plate (C) and secure with rubber washers (F) and screws (E).
6. To prevent moisture from entering the outlet box and causing a short, use clear caulking (i.e. Indoor/Outdoor Silicone Sealant) to outline the outside of fixture back plate (G) where it meets the wall leaving a space at the bottom to allow moisture a means to escape. (Fig. 3)

Replacing LED module (Fig. 4)

The LED module can be replaced by a qualified electrician without cutting of wire and without damage to any decorative element to which the fixture is attached. See installation steps for more details (Fig 4.) Shut off power at the circuit breaker and remove the fixture from the wall.

- a. Unscrew screws (E) and remove rubber washers (F). Disconnect wire connectors and place fixture body on a clean surface.
- b. Using allen wrench (N) provided to unscrew set screw (O).
- c. Unscrew cover (H) from fixture body (M) and loosen screws (I) and washers (K) to separate LED module (J). Carefully pull out the wires and disconnect wire connectors (L).
- d. For re-lamping, reverse step a-c for installing the new LED module. Note: The LED module should be provided by a specified supplier.
- e. For better heat dissipation, LED module (J) should be installed with the heat transfer silicone when re-lamping.

Your installation is now complete. Return power to the outlet box and test the fixture

IMPORTANT: FIXTURE SHOULD BE INSTALLED BY A QUALIFIED ELECTRICIAN TO ENSURE PROPER WIRING AND INSTALLATION.

Fig. 1

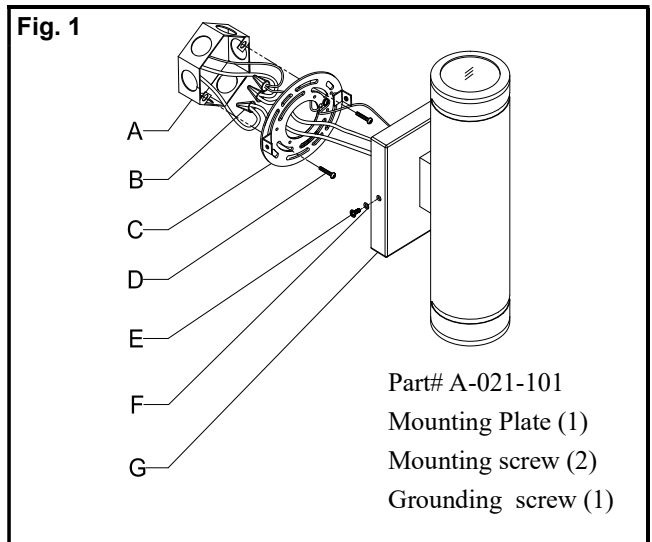


Fig. 2

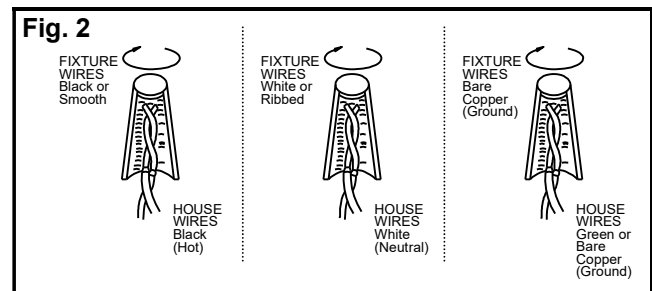


Fig. 3

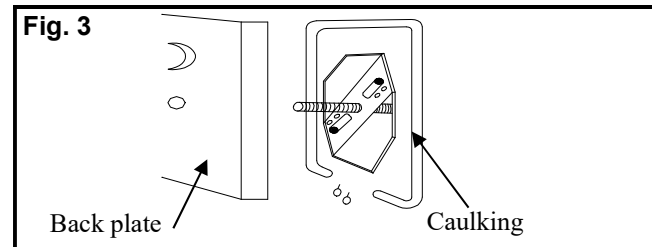


Fig. 4

