

# INSTALLATION INSTRUCTIONS FOR P1921-726-L

## For LED Wall Mount Fixture

**WARNING! SHUT POWER OFF AT FUSE OR CIRCUIT BREAKER.**

**AVERTISSEMENT ! COUPER LE COURANT AU NIVEAU DES FUSIBLES OU DO DISJONCTEUR.**

### MOUNTING THE FIXTURE (Fig. 1)

1. Shut off power at the fuse box or circuit breaker box. If necessary, remove the old fixture and mounting hardware.
2. Carefully unpack your new fixture and lay out all the parts on a clear area. Take care not to lose any small parts necessary for installation.
3. Attach mounting plate (A) to junction box (not included) using mounting screws (C) (Size: 8-32\*1/2"L). The side of the mounting plate (A) marked "GND" must face out.

### CONNECTION THE WIRES (Fig. 2)

4. Connect the electrical wires as shown in Fig.2, making sure that all wire connectors are secured. If your junction box has a ground wire (green or bare copper), connect the fixture's ground wire to it. Otherwise, connect the fixture's ground wire directly to the mounting plate (A) using the green screw (B) provided.

### FINISHING THE INSTALLATION (Fig. 1)

5. Align fixture body (E) onto mounting plate (A) and secure with screws (D).

Your installation is now complete. Return power to the junction box and test the fixture.

**CAUTION /ATTENTION:** When handling the fixture, do not apply pressure to the LEDs. Hold the fixture by the base or fixture body only.

### Replacing LED module (Fig.3)

The LED module can be replaced by a qualified electrician without cutting the wires and without damaging the decorative element to which the fixture is attached. See installation steps for more details (Fig 3.)

**Warning: Turn off power at the fuse box or circuit breaker before replacing the LED module.**

- a. Shut off the power.
- b. Loosen screw (D) and disconnect wire connectors to remove fixture from wall. (Fig.1)
- c. Loosen screws (G) using allen wrench (L) provided. Carefully remove LED box (F). Disconnect plugs (P1) & (P2). Loosen screw (M) and plastic sheet (N). Remove decorative cover (O). Loosen hex nut (J) and plastic washer (I) and carefully remove LED module (H).
- d. Reverse steps a-c for installing the new LED module.

Note: The LED module should be provided by a specified supplier.

**IMPORTANT:** Fixture should be installed by a qualified electrician to ensure proper wiring and installation.

**Dimmable with ELV and/or LED compatible wall dimmer switches.**

Fig.1

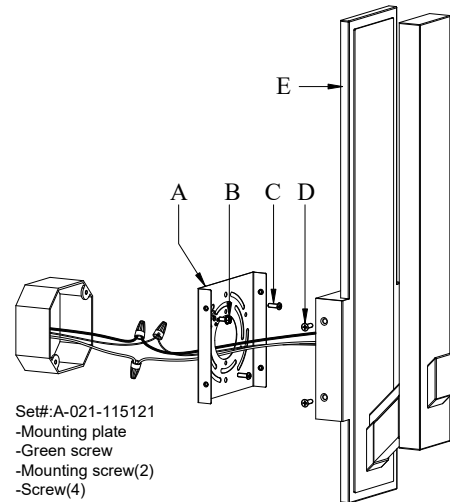


Fig.2

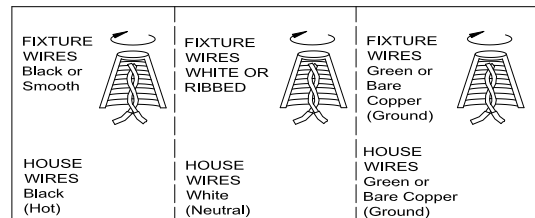


Fig.3

