

Installation Instruction

For Table Lamp

Model#P1942-66A-L

WARNING

- Risk of shock, do not plug in the unit before assembly is complete.
- Do not exceed the maximum wattage rating.
(Ne pas dépasser la puissance nominale maximale!)
- Before turning on, please follow the instruction manual step by step.

INSTALLATION

1. Carefully unpack your new lamp and place all parts on a smooth, flat surface to protect the finish until ready to install.
2. Plug adapter male DC into female DC plug from the lamp body.
3. Adjust the lamp shade location as desired, plug the adapter into the socket and test the new lamp.

FUNCTIONAL DESCRIPTION

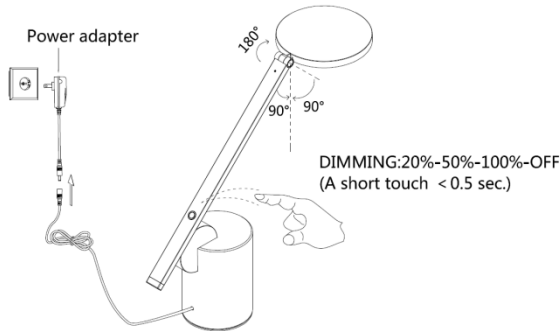
This lamp has one touch button on tube:

- 1st touch: On / 20% brightness
- 2nd touch: 50% brightness
- 3rd touch: 100% brightness
- 4th touch: Off

IMPORTANT SAFETY INSTRUCTIONS

- Never use with an extension cord unless the plug can be fully inserted.
- Do not change or alter.

MADE IN CHINA



**IMPORTANT: FIXTURE SHOULD BE INSTALLED BY
A QUALIFIED ELECTRICIAN TO ENSURE PROPER
WIRING AND INSTALLATION.**