

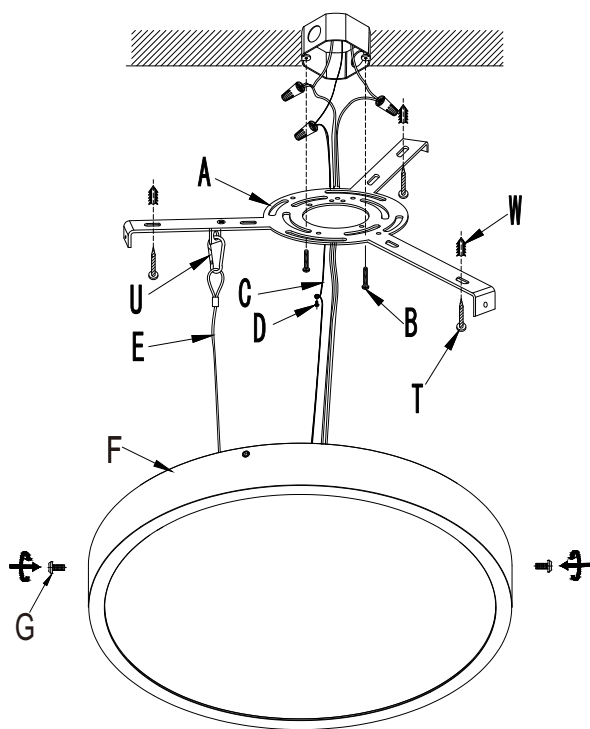
INSTALLATION INSTRUCTIONS FOR P2013-655-L、 P2014-655-L For LED Ceiling READ AND SAVE THESE INSTRUCTIONS

**WARNING! SHUT POWER OFF AT FUSE OR CIRCUIT BREAKER
AVERTISSEMENT! COUPER LE COURANT AU NIVEAU DES FUSIBLES OU DO DISJONCTEU**

ASSEMBLING THE FIXTURE (Fig.1)

- 1 Shut off power at the fuse box or circuit breaker. Remove the old fixture including the mounting hardware.
- 2 Carefully remove the fixture from the carton and check that all parts are included as show in Figure 1. Unscrew (G) to remove the mounting plate (A) from the canopy (F)
- 3 Position mounting plate(A) on the ceiling ,and mark the location of the dry wall anchors(W).Pre-drill the holes for the dry wall anchors ,Insert the dry wall anchors(W) into the ceiling ,Attach the mounting plate (A) to the junction box using the mounting screws(B,size 8#-32N 1/2").The side of the mounting plate marked "GND" must face out.Place the wood screw (T) through the slot hole into the dry wall anchor (W) to secure the mounting plate(A) as shown in Fig. 1. Due to the heavy body ,make sure there at least need 6 wood screws to fix the mounting plate to the ceiling .
- 4 The support cable(E) is provided to support the weight of the fixture while wiring .Align the fixture to mounting plate(A) and attach quick link (U) on the end of support cable (E) into the hook hole on the mounting plate(A). Carefully allow the support cable(E) to support the weight of the fixture while wiring.

Fig. 1



CONNECTING THE WIRES (Fig. 2)

- 5 Pass the black/white and bare copper wires from the hole of the mounting plate (A).Connect the electrical wire as shown in figure 2,making sure that all wire connectors are secured. If your junction box has a ground wire (green or bare copper), connect the ground wire from the fixture to it. Otherwise connect fixture ground wire (C) directly to the mounting plate using the green screw (D)provided. Tuck the wire connections neatly into the ceiling junction box as you hold the canopy towards the ceiling.

FINISHING THE INSTALLATION (Fig.1)

- 6 Fix the canopy(F) into the mounting plate (A) with screw(G).

Your installation is now complete. Return power to the junction box and test the fixture.

CAUTION/ATTENTION: When handling the fixture, do not apply pressure to the LEDs. Hold the fixture by the frame only.

IMPORTANT: Fixture should be installed by a qualified electrician to ensure proper wiring and installation. Dimmable with ELV and/or LED compatible wall dimmer switches.

Fig.2

