

INSTALLATION INSTRUCTIONS

For P2267-084-L

WARNING! SHUT POWER OFF AT FUSE OR CIRCUIT BREAKER.

AVERTISSEMENT! COUPER LE COURANT AU NIVEAU DES FUSIBLES OU DU DISJONCTEUR.

MOUNTING THE FIXTURE (Fig. 1)

1. Shut off power at the fuse box or circuit breaker box. If necessary, remove the existing fixture and its mounting hardware.
2. Carefully remove the new fixture from the carton and check that all parts are included as shown in the illustration.
3. Rotate frames (O,P) and rings (R,Q) to the desired positions.
4. Loosen screws (G) to remove mounting plate (C) from canopy (J). Positioning mounting plate (C) on the ceiling and mark location of the two mounting holes for the plastic anchors (I). Drill the appropriate size holes on the ceiling and insert the plastic anchors (I).
5. Attach mounting plate (C) to junction box (A) (not included) using mounting screws (E) (Size: #8-32*1/2"L). The side of the mounting plate marked "GND" must face out.
6. Secure the mounting plate (C) by screwing wood screws (L) through the holes on the mounting plate into the plastic anchors (I).
7. Loosen hex nuts (S) on the canopy (J) and remove lock washers (T), support cable (H), canopy (J), and swivels (V).
8. Determine the desired hanging height and thread rods (K2 and K1) to all thread on top of fixture body (M). Note: Remove all thread if installing with one 6" rod only. Then secure swivels (V) onto rods (K1). Carefully pass the wires through each rod and swivel during assembly.
9. Align canopy (J) followed by support cable (H) and lock washers (T) onto swivels (V) and secure with hex nuts (S).
10. There are two drivers inside the canopy, connect driver output wire to LED wire with wire nuts (F) as below:
 - Red driver output wire (labeled 600mA Output+) to red LED wire (labeled 600mA LED+)
 - Black driver output wire (labeled 600mA Output-) to black LED wire (labeled 600mA LED-)
 - Red driver output wire (labeled 700mA Output+) to red LED wire (labeled 700mA LED+)
 - Black driver output wire (labeled 700mA Output-) to black LED wire (labeled 700mA LED-)
11. The support cable is provided to support the weight of the fixture while wiring. Align the fixture to mounting plate (C) and attach hook (D) on the end of support cable (H) into a slot located on mounting plate (C). Carefully allow the support cable (H) to support the weight of the fixture while wiring.

CONNECTION THE WIRES (Fig. 2)

12. Connect the electrical wires as shown in Fig. 2, making sure that all wire connectors are secured. If your junction box (A) has a ground wire (green or bare copper), connect the fixture's ground wire to it. Otherwise, connect the fixture's ground wire directly to the mounting plate (C) using the green screw provided. After the wires are connected, tuck them carefully into the junction box (A).

FINISHING THE INSTALLATION (Fig. 1)

13. Align canopy (J) to mounting plate (C) and secure with screws (G). Your installation is now complete. Return power to the junction box and test the fixture.

Fig. 1

A-021-480115 for P2267-084-L

- Mounting plate (C)
- Ground screw (N)
- Mounting screws*2 (E)
- Plastic anchors*2 (I)
- Wood screws*2 (L)

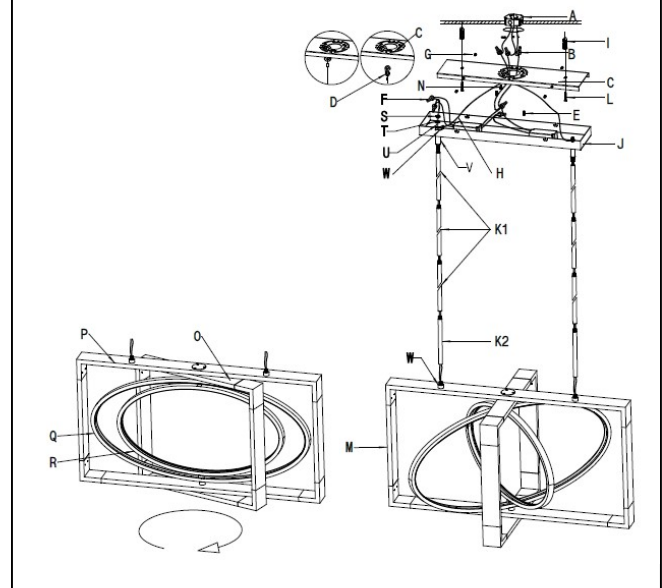
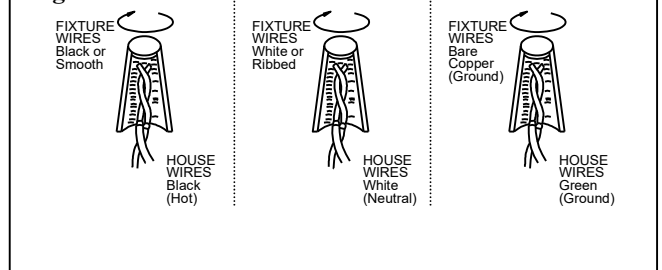


Fig. 2



IMPORTANT: Fixture should be installed by a qualified electrician to ensure proper wiring and installation.

CAUTION/ATTENTION: When handling the fixture, do not apply pressure to the LEDs. Hold the fixture by the base or fixture body only.

Dimmable with ELV and/or LED compatible wall dimmer

MIN 90°C SUPPLY CONDUCTORS
LES FILS D'ALIMENTATION 90°C MIN

