

# INSTALLATION INSTRUCTIONS

For Model # P266 (PORTABLE)

**WARNING! SHUT POWER OFF AT FUSE OR CIRCUIT BREAKER.**  
**AVERTISSEMENT! COUPER LE COURANT AU NIVEAU DES FUSIBLES OU DU DISJONCTEUR.**

## WARNING

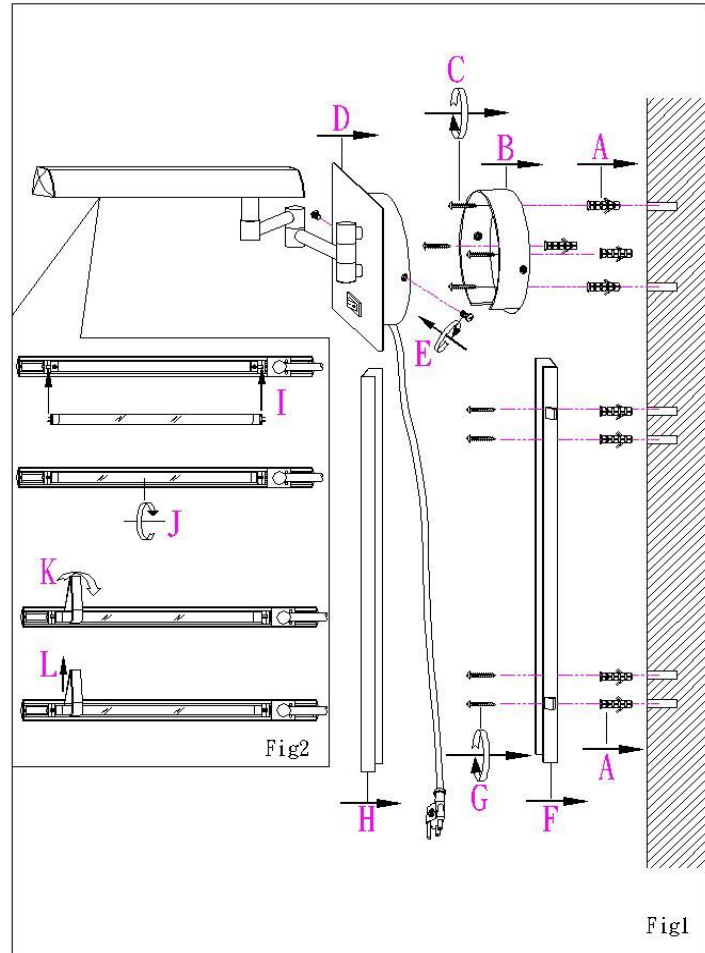
- Risk of shock, do not plug in the unit before assembly.
- Do not exceed the maximum wattage rating.  
NE PAS DEPASSER LA PUISSANCE NOMINALE MAXIMALE!
- This lamp is wall lamp with convertible function. Before you begin assembly of your new fixture, please follow the instruction manual step by step.

## MOUNTING THE FIXTURE (Fig. 1)

1. Carefully unpack your new fixture and lay out all the parts on a clear area. Take care not to lose any small parts necessary for installation.
2. Drill the holes in the proper position on the wall according to the mounting location of the fixture.
3. Secure the mounting plate (B) to the wall using the screws (C) and the anchors (A).
4. Place the fixture body (D) over the mounting plate (B), and secure them tightly with two screws (E).
5. Install the cord cover bracket (F) with screws (G) and the anchors (A), and snap the cord cover (H) over the cord.
6. **Place the 1x8W T5 light bulb (I) into the two sockets, and rotate the light bulb 90 degrees as shown in Fig. 2 till the light bulb is fixed by the sockets. DO NOT EXCEED THE MAXIMUM WATTAGE RATING: 1X8W! (NE PAS DEPASSER LA PUISSANCE NOMINALE MAXIMALE!)**
7. If you need change the bulb, please clip the end metal section of light bulb using the pliers and rotate the light bulb 90 degrees, then take it out as the (K) and (L) in Fig. 2.

## IMPORTANT SAFETY INSTRUCTIONS

This portable lamp has a trifurcate plug as a safety feature to reduce the risk of electric shock. This plug will fit a polarized outlet only one way. If the plug does not fit fully in the outlet reverse the plug. If it still does not fit, contact a qualified electrician. Never use with an extension cord unless the plug can be fully inserted. Do not change or alter the plug.



SAVE THESE INSTRUCTIONS

MADE IN CHINA

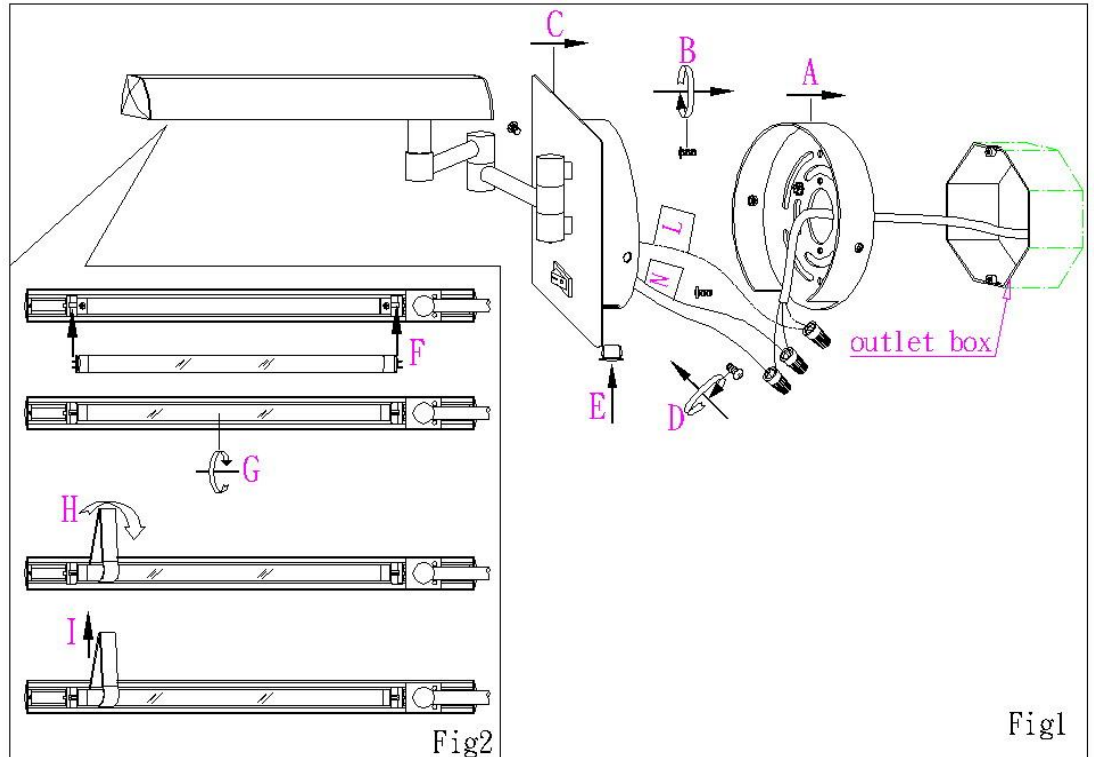
# INSTALLATION INSTRUCTIONS

For Model #P266 (FIXTURE)

**WARNING! SHUT POWER OFF AT FUSE OR CIRCUIT BREAKER.**  
**AVERTISSEMENT! COUPER LE COURANT AU NIVEAU DES FUSIBLES OU DU DISJONCTEUR**

## MOUNTING THE FIXTURE (Fig. 1)

1. Carefully remove the fixture from the carton and check that all parts are included as shown in the illustration.
2. Shut off power at the circuit breaker and remove old fixture including the crossbar.
3. Attach the mounting plate (A) to outlet box using the two screws (B). The side of the mounting plate marked "GND" must face out.



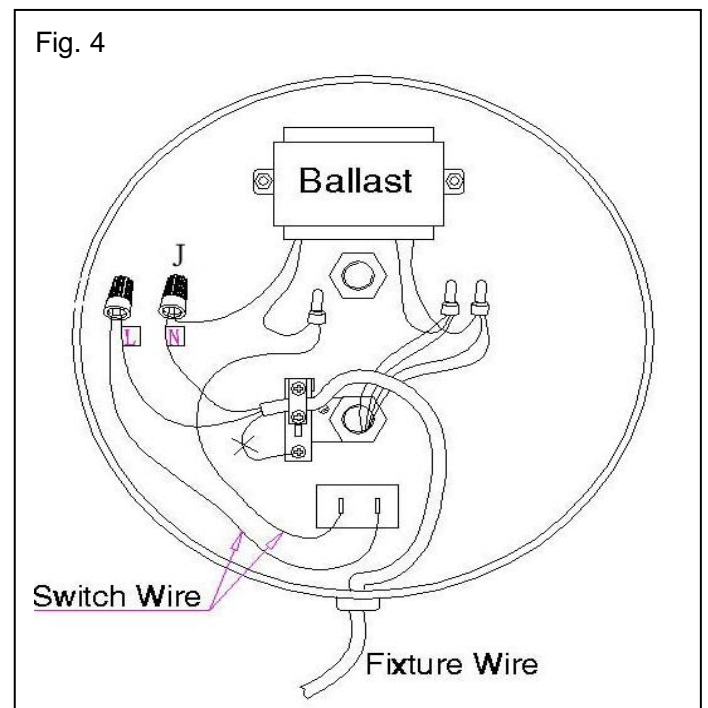
## CONNECTING THE WIRES (Fig. 4 & Fig. 5)

5. Disconnect the two connectors (J) and cut the ground wire from the location marked "X" in Fig. 4. Make sure the remaining wire length is enough to connect the electrical wires of outlet box. (min 7"). Remove the cord and plug, (**CAUTION: CAN NOT GO BACK TO PLUG VERSION ONCE THE CORD AND PLUG ARE CUT OFF. SEE Fig. 1**)

6. Connect the electrical wires as shown in Fig. 5, making sure that all wire connectors are secured. If your outlet box has a ground wire (green or bare copper), connect the fixture's Ground Wire to it. Otherwise, connect the fixture's Ground Wire directly to the crossbar using the Green Screw provided.

## FINISHING THE INSTALLATION (Fig. 3)

7. Place the fixture body (C) over the mounting plate (A) and secure them tightly using screws (D). And cover the cord hole using the cap (E).



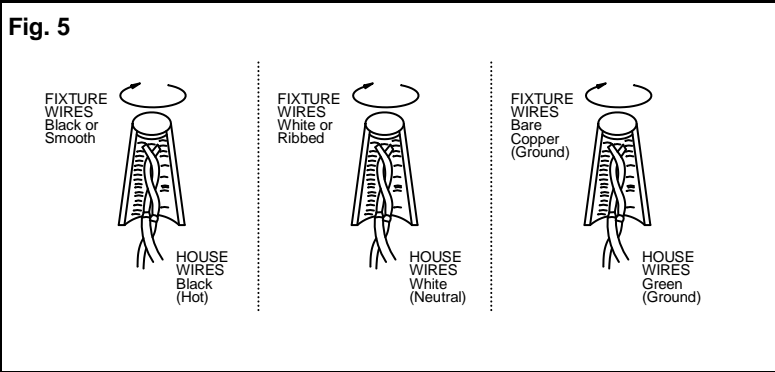
8. **Place the 1x8W T5 light bulb (F) into the two sockets, and rotate it 90 degrees as shown in Fig. 2 till the light bulb is fixed by the sockets. 1 PC LIGHT BULB IS INCLUDED. DO NOT EXCEED THE MAXIMUM WATTAGE RATING: 1X8W! (NE PAS DEPASSER LA PUISSANCE NOMINALE MAXIMALE!)**

9. If you need change the bulb, please clip the end metal section of light bulb using the pliers and rotate the light bulb 90 degrees, then take it out as the (H) and (I) in Fig. 2.

Your installation is now complete. Return power to the junction box and test the fixture.

**Note: Illustration (Fig. 4) on this manual is for installation purposes only. It may or may not be identical to the fixture purchased.**

**IMPORTANT: FIXTURE SHOULD BE INSTALLED BY A QUALIFIED ELECTRICIAN TO ENSURE PROPER WIRING AND INSTALLATION.**



**SAVE THESE INSTRUCTIONS**

**MADE IN CHINA**