

INSTALLATION INSTRUCTIONS

Item# P4308 (Rev.04/29/2019)

READ AND SAVE THESE INSTRUCTIONS

WARNING! SHUT POWER OFF AT FUSE OR CIRCUIT BREAKER.

AVERTISSEMENT! COUPER LE COURANT AU NIVEAU DES FUSIBLES OU DU DISJONCTEUR.

WARNING

- Risk of shock, do not plug in the unit before assembly is completed.
- Do not exceed the maximum wattage rating.
- Before you begin assembly of your new fixture, please follow the instruction manual step by step.

MOUNTING THE LUMINAIRE, PLUG VERSION (Fig. 2). For hardwire go to Fig.4 & Fig.6

1. Carefully unpack your new fixture and lay out all the parts on a clear area. Take care not to lose any small parts necessary for installation.
2. Remove screws (K) and mounting plate (C) from fixture body (D).

Fig. 1(FOR SOLID WALL)

3. Drill two (6mm) diameter holes in the proper position on the wall according to the mounting location of the fixture, insert the plastic anchors (I)
4. Secure the mounting plate (C) to wall using the screws (J).

Fig.1-1(FOR HOLLOW WALL)

- 3-1. Drill two (13mm) diameter holes in the proper position on the wall according to the mounting location of the fixture.
- 4-1. Pass crown bolt (O) and the toggle bolt anchor (Q) through the keyhole on the mounting plate (C), then carefully push the toggle bolt anchor (Q) into the hole in the wall. Screw crown bolt (O) which will tighten the mounting plate (C) to the wall.
5. Align the fixture body (D) to mounting plate (C) and secure with screws (K).
6. Using the cord cover bracket (F) as a template, pre-drill three (6mm) diameter holes for cord cover bracket (M).
7. Install dry wall anchors (I) and secure the cord cover bracket (F) to the wall using screws (J).
8. Place the cord (H) into the cord cover bracket (F) and snap the cover (G) over the cord (H).
9. Should the movement of the swivel need to be adjusted, use an allen wrench (included) to loosen the top screw of the swivel and then use a screwdriver (not included) to loosen and/or tighten the bottom screw located inside the swivel. When the desired movement is reached, re-install the allen set screw. (Fig. 3)

Your installation is now complete. Plug in and test the fixture.

Note: Illustration (Fig. 2) on this manual is for installation purposes only. It may or may not be identical to the fixture purchased.

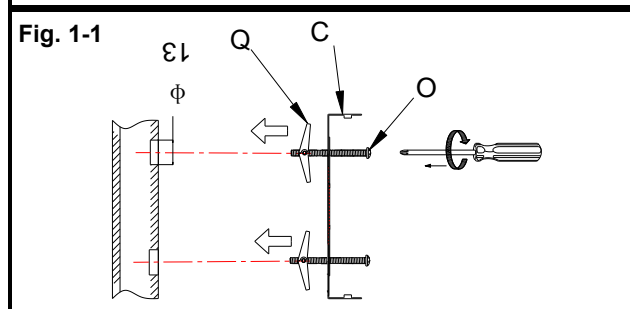
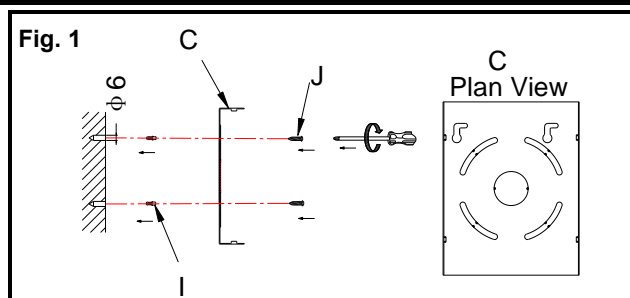


Fig.2

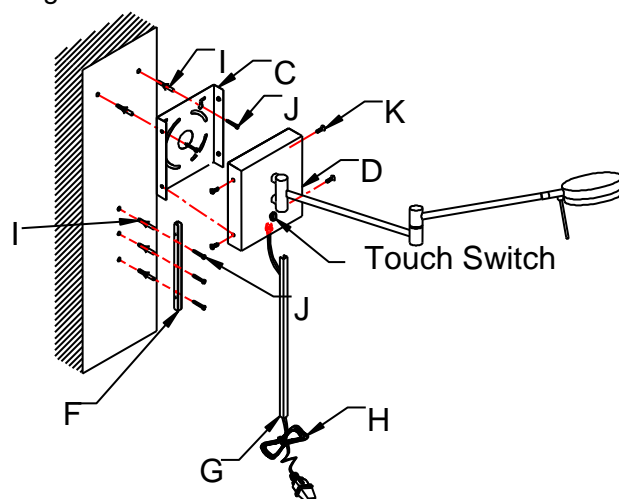
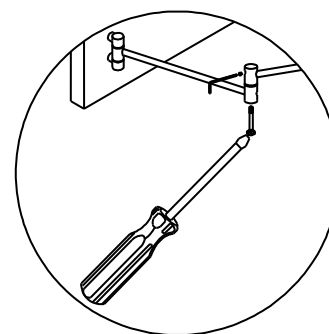


Fig.3



IMPORTANT: FIXTURE SHOULD BE INSTALLED BY A QUALIFIED ELECTRICIAN TO ENSURE PROPER WIRING AND INSTALLATION.

INSTALLATION INSTRUCTIONS

Item# P4308

READ AND SAVE THESE INSTRUCTIONS

WARNING! SHUT POWER OFF AT FUSE OR CIRCUIT BREAKER.

AVERTISSEMENT! COUPER LE COURANT AU NIVEAU DES FUSIBLES OU DU DISJONCTEUR.

MOUNTING THE FIXTURE, HARDWIRE VERSION (Fig. 4 & Fig. 6)

1. Shut off power at the circuit breaker and remove the old fixture including the mounting hardware.
2. Carefully unpack your new fixture and lay out all the parts on a clear area. Take care not to lose any small parts necessary for installation.
3. Remove screws (K) and mounting plate (C) from fixture body (D).
4. Remove tabs (1, 2, 3, 4, and 5) from mounting plate (C) with a screwdriver or pliers.
5. Secure mounting plate (C) to the outlet box using mounting screws (A) (Size: #8-32N*L0.5").
6. Remove screws (T) and metal plate (U) from fixture body (D) by using screwdriver (not included). (Fig.6)
7. Loosen the wire connectors located inside the fixture back plate and carefully remove the power cord and bushing.

CONNECTING THE WIRES (Fig. 5)

8. Connect the electrical wires as shown in Fig. 5, making sure that all wire connectors are secured. If your outlet has a ground wire (green or bare copper), connect the fixture's ground wire to it. Otherwise, connect the fixture's ground wire directly to the mounting plate (A).

FINISHING THE INSTALLATION (Fig. 4)

9. Align fixture body (D) to mounting plate (C) and secure with screws (K).
10. Insert plug (E) into the hole in fixture body (D).
Your installation is now complete. Return power to the outlet box and test the fixture.

IMPORTANT SAFETY INSTRUCTIONS

1. This lamp uses a touch switch. Press and release to turn on and/or off. When in the on position, press and hold the touch switch to cycle from dim to bright. Release the switch once the desired brightness is reached.
2. The LED module can be replaced by a qualified electrician without cutting of wire and without damage to any decorative element to which the fixture is attached. See (Fig 7.)
 - a) Shut off the power, twist the head cover with glass panel (S) from the lamp head (L).
 - b) Use a screw driver to loosen the screws (R) and remove the module from the white plastic ring (P).
 - c) Un-plug the wire quick connector with LED module (N) for re-lamping. (Note: The LED module should be provided by specified supplier).
 - d) For better heat dissipation the LED module (N) should be installed with the heat transfer material (M) when re-lamping.

Note: Illustration (Fig. 4) on this manual is for installation purposes only. It may or may not be identical to the fixture purchased.

Fig. 4

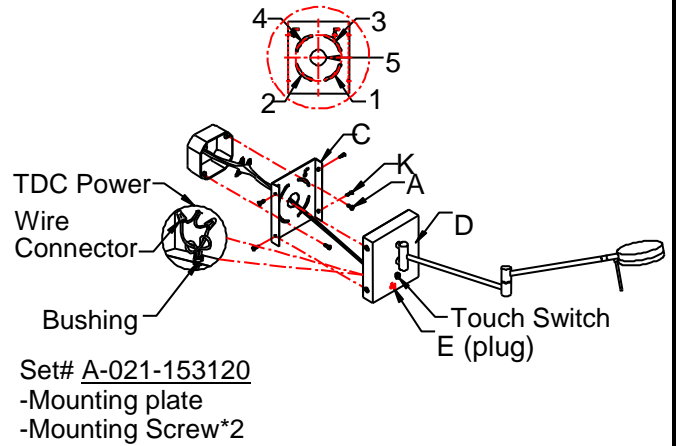


Fig. 5

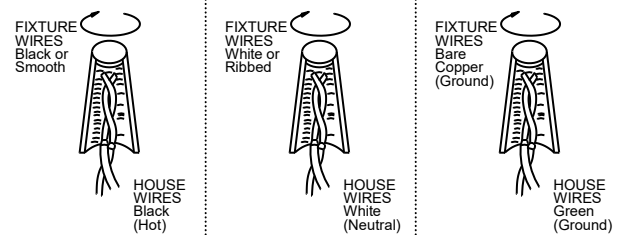
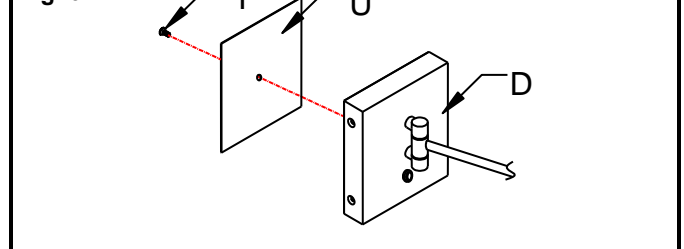


Fig. 6



IMPORTANT: FIXTURE SHOULD BE INSTALLED BY A QUALIFIED ELECTRICIAN TO ENSURE PROPER WIRING AND INSTALLATION.

Fig.7

