

INSTALLATION INSTRUCTIONS

For Model P465-084

READ AND SAVE THESE INSTRUCTIONS

WARNING! SHUT POWER OFF AT FUSE OR CIRCUIT BREAKER.

AVERTISSEMENT! COUPER LE COURANT AU NIVEAU DES FUSIBLES OU DU DISJONCTEUR.

MOUNTING THE SQUARE STRAP (Fig.1)

1. Shut off the power at the circuit breaker and remove the old fixture, including the mounting hardware.
2. Carefully remove the fixture from the carton and check that all parts are included as shown in the illustration.
3. Position mounting plate (A) on the wall, and mark the location of the two dry wall anchors (G). Pre-drill the holes for the dry wall anchors. Insert the dry wall anchors (G) into the wall.
4. Attach the mounting plate (A) to the outlet box using screws (B) and wood screws (F). The side of the mounting plate marked "GND" must face out.

CONNECTING THE WIRES (Fig. 2)

6. Connect the electrical wire as shown in (Fig.2), making sure that all wire connectors are secured. If your outlet has a ground wire (green or bare copper), connect the fixture's ground wire to it. Otherwise, connect the fixture ground wire directly to the mounting plate using the green screw provided.

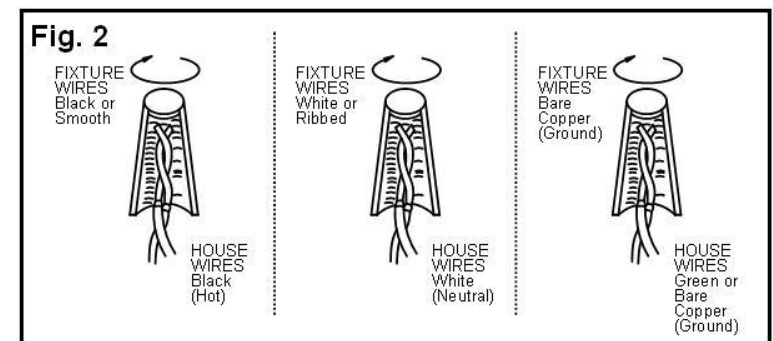
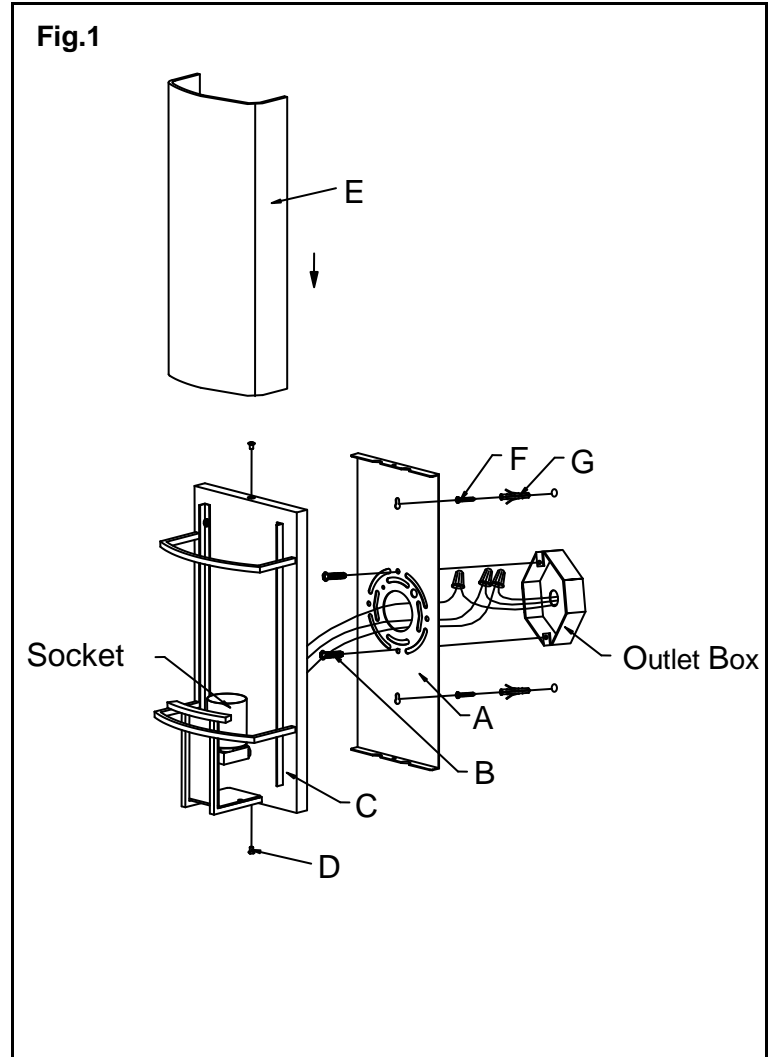
FINISHING THE INSTALLATION (Fig. 1)

7. After the wires are connected, tuck them carefully inside the outlet box.
8. Align fixture body (C) to mounting plate (A) and secure with screws (D).
9. Install the bulb in accordance with the fixture's specification. **DO NOT EXCEED THE MAXIMUM WATTAGE RATING (NE PAS DEPASSER LA PUISSANCE NOMINALE MAXIMALE!).** (PLEASE USE E26 MED BASE MAX 60W BULB!)
10. Slide the glass (E) into the fixture frame (C).

Your installation is now complete. Return power to the junction box and test the fixture.

IMPORTANT: Fixture should be installed by a qualified electrician to ensure proper wiring and installation.

Note: Illustration (Fig.1) on this manual is for installation purposes only. It may or may not be identical to the fixture purchased.



LA-1972E