

INSTALLATION INSTRUCTIONS For P5216

For Wall Mount Fixture

WARNING! SHUT POWER OFF AT FUSE OR CIRCUIT BREAKER BEFORE INSTALLATION .
AVERTISSEMENT! COUPER LE COURANT AUNIVEAU DE FUSIBLES OU DU DISJONCTEUR

MOUNTING THE FIXTURE (Fig.1)

1. Shut off the power at the circuit breaker box (avertissement! couper le courant au niveau des fusibles ou du disjoncteur) and remove the old fixture, including the mounting hardware.
2. Carefully remove the fixture from the carton and check that all parts are included as shown in the illustration.
3. Position the back plate (B) on the wall, and mark the location of the two drywall anchors (A). Pre-drill the holes for the drywall anchors (A) and insert the drywall anchors (A) into the wall.
4. Attach the back plate (B) to the Outlet box using the two screws (E) (size:8-32*1/2"L) . The side of the back plate marked "GND" must face out.
5. Place the wood screws (D) through the back plate and into the drywall anchors (A) to secure the back plate (B) to the wall.

CONNECTING THE WIRES (Fig.2)

6. At this point, connect the electrical wires as shown in Fig. 2, making sure that all wire connectors are secured. If your outlet box has a ground wire (green or bare copper), connect the fixture's Ground Wire to it. Otherwise, connect the fixture's Ground Wire directly to the mounting plate using the Green Screw provided. After wires are connected, tuck them carefully inside the Junction Box.

COMPLETING THE INSTALLATION (Fig. 1)

7. Place the cover plate (G) over the back plate (B). Secure cover plate with cap nuts (O) provided as shown in (Fig.1)
8. Install the light bulbs in accordance with the fixture's specification use type G9 (Max 3x 40W included)
DO NOT EXCEED THE MAXIMUM WATTAGE RATING! (NE PAS DEPASSER LA PUISSANCE NOMINALE MAXIMALE)
9. Place steel gasket (I), plastic gasket (J), onto screw (H), put the screw (H) through glass (M) to secure hook (K).
10. Secure hooks (K) to cover plate (G) with screws (L). Your installation is now complete. Return power to the junction box and test the fixture.

IMPORTANT: Fixture should be installed by a qualified electrician to ensure proper wiring and installation.

Fig.1

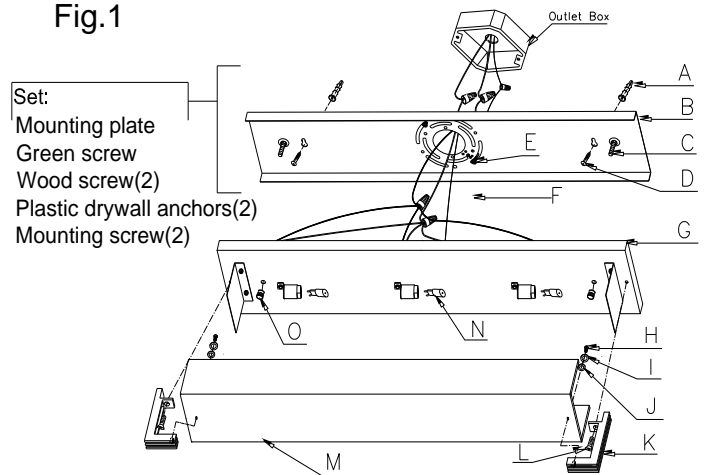
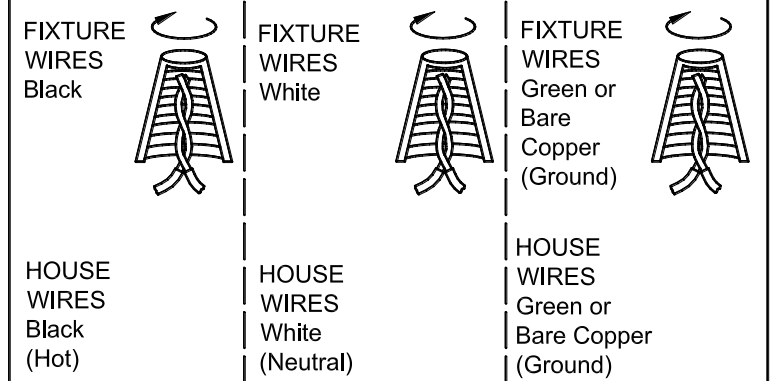


Fig .2



MIMIN 90°C SUPPLY CONDUCTORS

