

# INSTALLATION INSTRUCTIONS FOR P5281-077-L

For Wall Mount Fixture

**WARNING! SHUT POWER OFF AT FUSE OR CIRCUIT BREAKER.**

**AVERTISSEMENT! COUPER LE COURANT AU NIVEAU DES FUSIBLES OU DO DISJONCTEUR.**

## PREPARATION

1. Shut off power at the fuse box or circuit breaker box. If necessary remove the old fixture and mounting hardware.
2. Carefully unpack your new fixture and lay out all the parts on a clear area. Take care not to lose any small parts necessary for installation.

## MOUNTING THE FIXTURE (FIG. 1)

3. Secure mounting back plate (C) to junction box (A) using junction boxes screws (B) (Size: 8-32\*1/2"L). The side of the mounting back plate marked "GND" must face out.

## CONNECTING THE WIRES (FIG. 2)

4. At this point, connect the electrical wires as shown in Fig. 2, making sure that all wire connectors are secured. If your outlet has a ground wire (green or bare copper), connect the fixtures ground wire to it. Otherwise, connect the fixture ground wire directly to the back plate (C) using the green screw provided.

## FINISHING THE INSTALLATION (FIG.1)

5. Align glass shade (F) into bracket (D) by decorative screws (H) and washers (G). And then fix the bracket (D) to the mounting back plate (C) by using screws (E).

Your installation is now completed. Return power to the junction box and test the fixture.

**CAUTION /ATTENTION:** When handling the fixture, do not apply pressure to the LEDs. Hold the fixture by the base or bracket (D).

## Replacing LED module (Fig. 3)

The LED module can be replaced by a qualified electrician without cutting of wire and without damage to any decorative element to which the fixture is attached. See installation steps for more details (Fig 3.)

- a. Shut off power. Remove the fixture from the wall.
- b. Remove decorative screws (H) washers (G) and glass shade (F). Remove screws (E) to disconnect mounting plate (C).
- c. Remove screws (K) to disconnect LED module (N) (O) and heat sink (P). Then release the wires from quick connector (R) on LED module with using screwdriver (Q) by lightly pressing on the release button located on the top of the wire connector.
- d. Remove screws (M) and washers to disconnect LED module (N) from heat sink (P).
- e. Reverse steps a-d for installing the new LED module.

Note: The LED module should be provided by a specified supplier.

FIG.1

Set #

- Mounting plate
- Ground screw
- Mounting screw\*2pcs

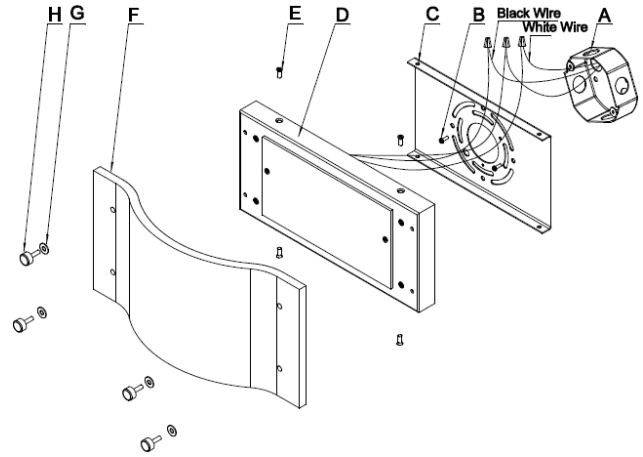


Fig.2

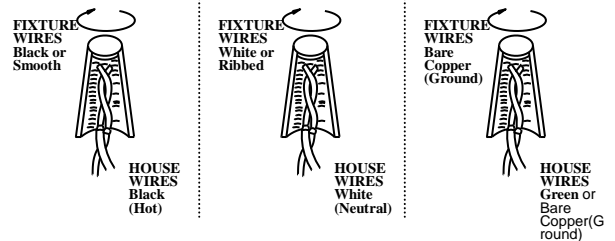
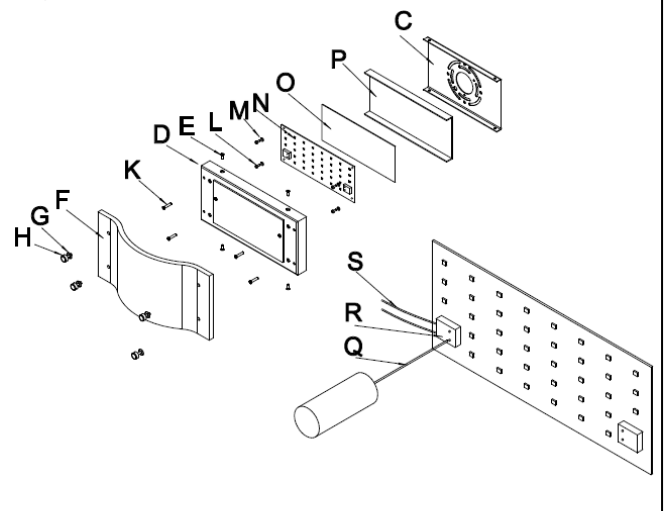


Fig 3



**IMPORTANT:** Fixture should be installed by a qualified electrician to ensure proper wiring and installation.

**Dimmable with ELV dimmer switches.**