

INSTALLATION INSTRUCTIONS FOR P533X-613-L

For Wall Mounted Fixture

WARNING! SHUT POWER OFF AT FUSE OR CIRCUIT BREAKER.

AVERTISSEMENT! COUPER LE COURANT AU NIVEAU DES FUSIBLES OU DU DISJONCTEUR.

PREPARATION

1. Shut off power at the fuse box or circuit breaker box and remove the old fixture including the mounting hardware.
2. Carefully unpack your new fixture and lay out all the parts on a clear area. Take care not to misplace any small parts necessary for installation

MOUNTING THE FIXTURE (Fig. 1)

3. Secure mounting plate (B) to junction box (A) (not included) using mounting screws (E) (Size: #8-32*1/2"L). The side of the mounting plate marked "GND" must face out.
4. Slide glass shade (H) into aluminum profile (K), place rubber pad (I) onto glass shade hole. Secure glass shade using thumb screw (J).

CONNECTION THE WIRES (Fig. 2)

5. Connect the electrical wires as shown in Fig. 2, making sure that all wire connectors are secured. If your junction box has a ground wire (green or bare copper), connect the fixture's ground wire to it. Otherwise, connect the fixture's ground wire directly to the mounting plate (B) using the green screw provided.
6. Tuck wire connections neatly inside the junction box.

FINISHING THE INSTALLATION (Fig. 1)

7. Place fixture body (G) to mounting plate (B) and secure with screws (D).

Your installation is now complete. Return power to the junction box and test the fixture.

CAUTION / ATTENTION: When handling the fixture, do not apply pressure to the LEDs. Hold the fixture by the base or fixture body only.

IMPORTANT: Fixture should be installed by a qualified electrician to ensure proper wiring and installation.

Dimmable with ELV and/or LED compatible wall dimmer switch.

Fig. 1

Mounting Plate Set #:
A-021-140113 for P5331-613-L/P5332-613-L
-Mounting plate (B)
-Ground screw (F)
-Mounting screw (E)

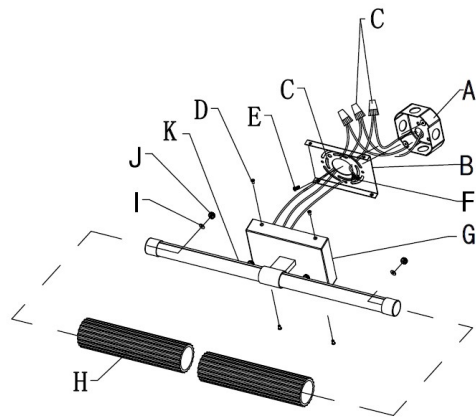
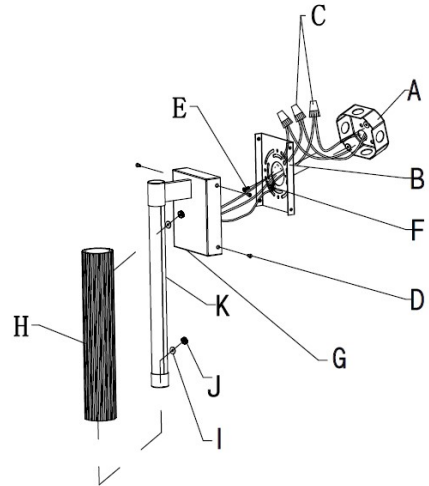


Fig. 2

