

INSTALLATION INSTRUCTIONS FOR P5334-077-L

For LED Wall Mount

READ AND SAVE THESE INSTRUCTIONS

WARNING! SHUT POWER OFF AT FUSE OR CIRCUIT BREAKER
AVERTISSEMENT! COUPER LE COURANT AU NIVEAU DES FUSIBLES OU DO DISJONCTEU

ASSEMBLING THE FIXTURE (Fig.1)

1. Shut off power at the fuse box or circuit breaker box and remove the old fixture including the mounting hardware.
2. Carefully unpack your new fixture and lay out all the parts in a clean area. Take care not to misplace any small parts necessary for installation.
3. Unscrew screws (G) to remove mounting plate (A) from backplate (F).
4. Attach mounting plate (A) to the junction box (Not included) using the mounting screws (B, size 8#-32N 1"). The side of the mounting plate (A) marked "GND" must face out as shown in Fig.1.

CONNECTING THE WIRES (Fig. 2)

5. Pass the black/white and bare copper wires through the opening of the mounting plate (A). Connect the electrical wire as shown in figure 2, making sure that all wire connectors are secured. If your junction box has a ground wire (green or bare copper), connect the ground wire from the fixture to it. Otherwise connect fixture ground wire directly to the mounting plate (A) using the green screw (D) provided. Tuck the wire connections neatly into the junction box.

FINISHING THE INSTALLATION (Fig.1)

6. Place backplate (F) over mounting plate (A) secure with screws (G).
7. Hang crystals (E and E1) to the fixture.

CAUTION/ATTENTION: When handling the fixture, do not apply pressure to the LEDs. Hold the fixture by the frame only.

Replacing LED module (Fig. 3)

The LED module can be replaced by a qualified electrician without cutting of wire and without damage to any decorative element to which the fixture is attached. See installation steps for more details (Fig 3.)

- a. There is one LED module in the fixture. If it does not work, replace it as shown in Fig. 3. Make sure the power is off before you replace.
- b. Remove crystals (E and E1) from the fixture.
- c. Loosen screws (H) and plastic washer (N). Remove glass sheet (I), then loosen all thread (J) and plastic washer (N).
- d. Press quick terminal (K) with small screwdriver (Not included) to disconnect the wires.
- e. Reverse steps d-b to install new module (L).

Your installation is now complete. Return power to the junction box and test the fixture.

Note: Illustration (Fig.1) on this manual is for installation purposes only. It may or may not be identical to the fixture purchased.

Dimmable with ELV and/or LED compatible wall dimmer switches.

IMPORTANT: Fixtures should be installed by a qualified electrician to ensure proper wiring and installation.

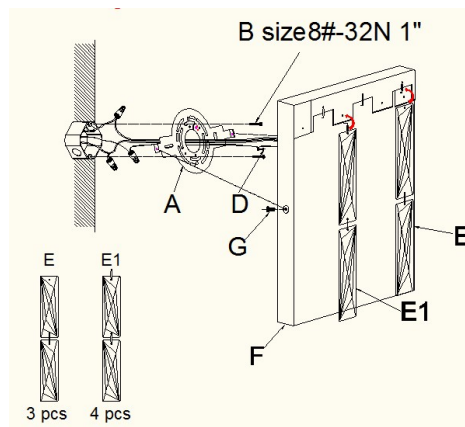
Fig.1

Set#A-020-176

-Mounting Plate

-Ground Screw

-Mounting Screw



Crystal code#PG5334-1C

Crystal code#PG5334-2C

Fig.2

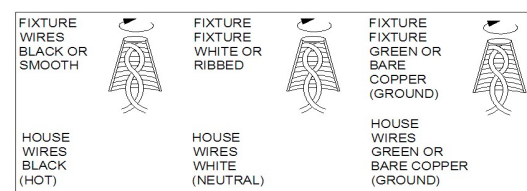
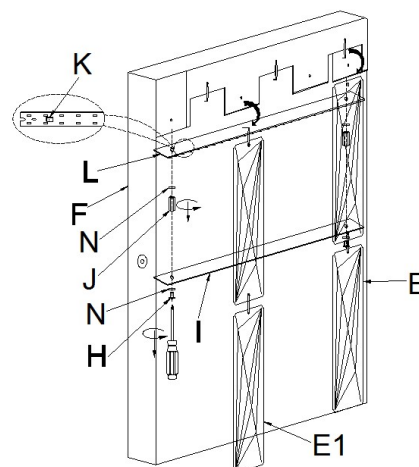


Fig 3



LA-3220E

