

# INSTALLATION INSTRUCTIONS

Item#P5341-572-L (New. 2021/09/07)

## READ AND SAVE THESE INSTRUCTIONS

**WARNING! SHUT POWER OFF AT FUSE OR CIRCUIT BREAKER.**

**AVERTISSEMENT! COUPER LE COURANT AU NIVEAU DES FUSIBLES OU DU DISJONCTEUR.**

### MOUNTING THE FIXTURE (Fig.1)

1. Shut off power at the fuse box or circuit breaker box and remove the old fixture including the mounting hardware.
2. Carefully unpack your new fixture and lay out all the parts in a clear area. Take care not to misplace any small parts necessary for installation.
3. Place glass (G) and iron plate (F) over housing (L) and secure with screws (E).
4. Loosen screws (D) to remove mounting plate (A) from fixture body (C).
5. Attach mounting plate (A) to the junction box (not included) using mounting screws (B) (SIZE: #8-32N, L0.5"). The side of mounting plate (A) marked "GND" must face out.
6. Connect the electrical wires as shown in Fig. 2, making sure that all wire connectors are secured. If your junction box has a ground wire (green or bare copper), connect the fixture's ground wire to it. Otherwise, connect the fixture's ground wire directly to the mounting plate (A) using the green screw provided. After the wires are connected, tuck them carefully inside the junction box.
7. Place fixture body (C) over mounting plate (A) and secure with screws (D).

Your installation is now complete. Return power and test the fixture.

### Replacing LED module (Fig. 3)

The LED module can be replaced by a qualified electrician without cutting of wire and without damage to any decorative element to which the fixture is attached. See installation steps for more details (Fig 3.)

- a. Shut off the power.
- b. Remove screws (D) and fixture body from mounting plate (A). Disconnect wire connectors and place fixture body on a clean surface.
- c. Loose screws (E). Remove iron plate (F) and glass (G).
- d. Press the button with the printed "L" quick connector on LED module (J) with screwdriver (not included) to disconnected the black wire, then disconnect the white wire from the printed "N" quick connector on LED module (J).
- e. Remove screws (I). Carefully remove LED module (J).
- f. Reverse steps b-e for installing new LED module.

**Note: For steps a-f are only used to replace the upper part of the LED module (J) of fixture. If the lower part of the LED module(J) of the fixture needs to be replaced, please refer to the following steps:**

- a. Shut off the power.
- b. Remove screws (D) and fixture body from mounting plate (A). Disconnect wire connectors and place fixture body on a clean surface.
- c. Loose screws (E). Remove iron plate (F) and glass (G).
- d. Press the button with the printed "L" quick connector on LED module (J) with screwdriver (not included) to disconnected the black wire, then disconnect the white wire from the printed "N" quick connector on LED module (J).
- e. Remove screws (I). Carefully remove LED module (J).
- f. Loose screws (H) and rotate holder (K) 90° counter clockwise rotation, then take out LED module (J).
- g. Press the button with the printed "L" quick connector on LED module (J) with screwdriver (not included) to disconnected the black wire, and then disconnect the white wire from the printed "N" quick connector on LED module (J).
- h. Remove screws (I). Carefully remove LED module (J).
- i. Reverse steps b-h for installing new LED module.

Fig. 1

Set#A-021-118DH  
-Mounting plate  
-Ground screw  
- Mounting screw\*2

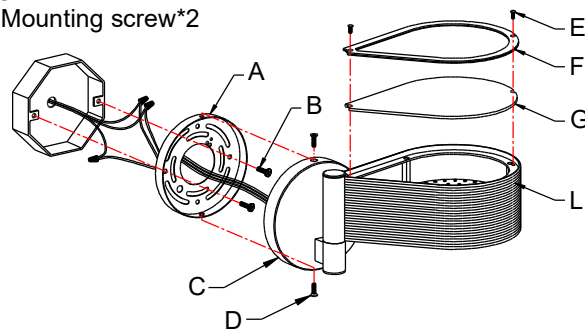


Fig. 2

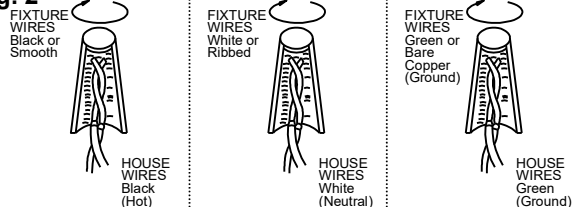
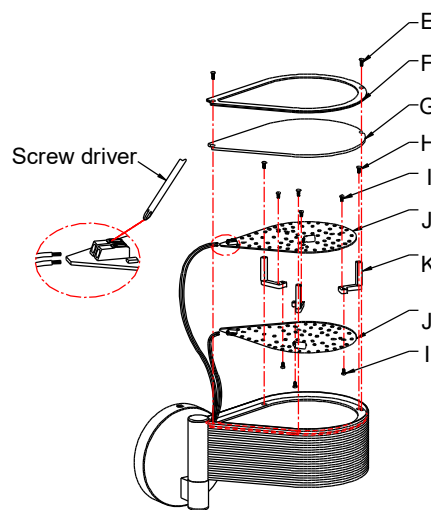


Fig.3



**Note: Illustration (Fig.1) on this manual is for installation purposes only. It may or may not be identical to the fixture purchased.**

**Dimmable with ELV and/or LED compatible wall dimmer switches.**

**IMPORTANT: FIXTURE SHOULD BE INSTALLED BY A QUALIFIED ELECTRICIAN TO ENSURE PROPER WIRING AND INSTALLATION.**

LA-3486E



american  
lighting  
associates