

# INSTALLATION INSTRUCTIONS

Item#P5345-572-L (New. 2021/09/07)

## READ AND SAVE THESE INSTRUCTIONS

**WARNING! SHUT POWER OFF AT FUSE OR CIRCUIT BREAKER.**

**AVERTISSEMENT! COUPER LE COURANT AU NIVEAU DES FUSIBLES OU DU DISJONCTEUR.**

### MOUNTING THE FIXTURE (Fig.1)

1. Shut off the power at the circuit breaker and remove the old fixture, including the mounting hardware.
2. Carefully unpack your new fixture and lay out all the parts on a clean area. Take care not to lose any small parts necessary for installation.
3. Place glass (L) and iron plate (K) over housing (T) and secure with screws (J).
4. Loosen screws (E) to remove mounting plate (A) from canopy (D).
5. Secure rod (G) onto all thread (H), then secure another rod (G) onto all thread on the previous rod (G).
6. Determine desired hanging height and thread rods (F1, F2 and F3) to all thread on rod (G). Attach canopy (D) by screwing onto rod (F1). Carefully pass the wires through each rod during assembly.
7. Attach mounting plate (A) to the junction box (not included) with mounting screws (B) (Size: #8-32N\*L0.5"). The side of mounting plate (A) with "GND" marked on it and two convex points must face out.
8. The support cable is provided to support the weight of the fixture while wiring. Align the fixture to mounting plate (A) and attach hook (I) on the end of support cable (C) into a slot located on mounting plate (A). Carefully allow support cable (C) to support the weight of the fixture while wiring (Fig.1).

### CONNECTING THE WIRES (Fig. 2)

9. Connect the electrical wires as shown in fig 2, making sure that all wire connectors are secured. If your junction box has a ground wire (green or bare copper), connect the fixture's ground wire to it. Otherwise, connect the fixture's ground wire directly to mounting plate (A) using the green screw provided.
10. Tuck wire connectors neatly into the junction box.

### FINISHING THE INSTALLATION (Fig.1)

11. Slide canopy (D) over mounting plate (A) and secure with screws (E).
12. Thread rod (R) onto all thread (S) on fixture body.

**Your installation is now complete. Return power and test the fixture.**

Fig. 1

Set# A-021-118DH  
-Mounting plate  
-Ground screw  
-Mounting screws\*2

Rod# W30-1-613\*1(F1)  
W30-1-613\*2(F2)  
W30-H-613\*1(F3)

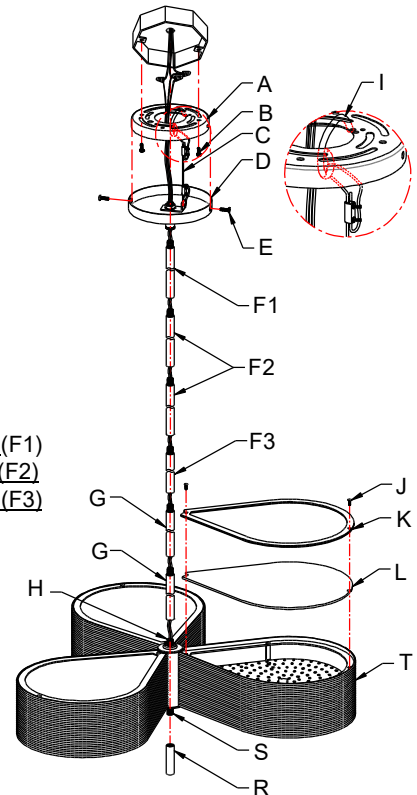
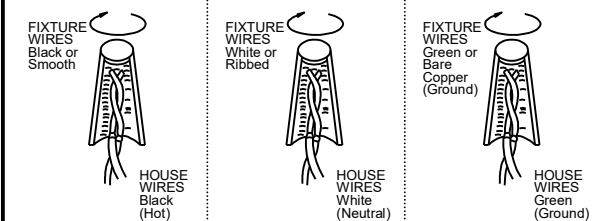


Fig. 2



### Replacing LED module (Fig. 3)

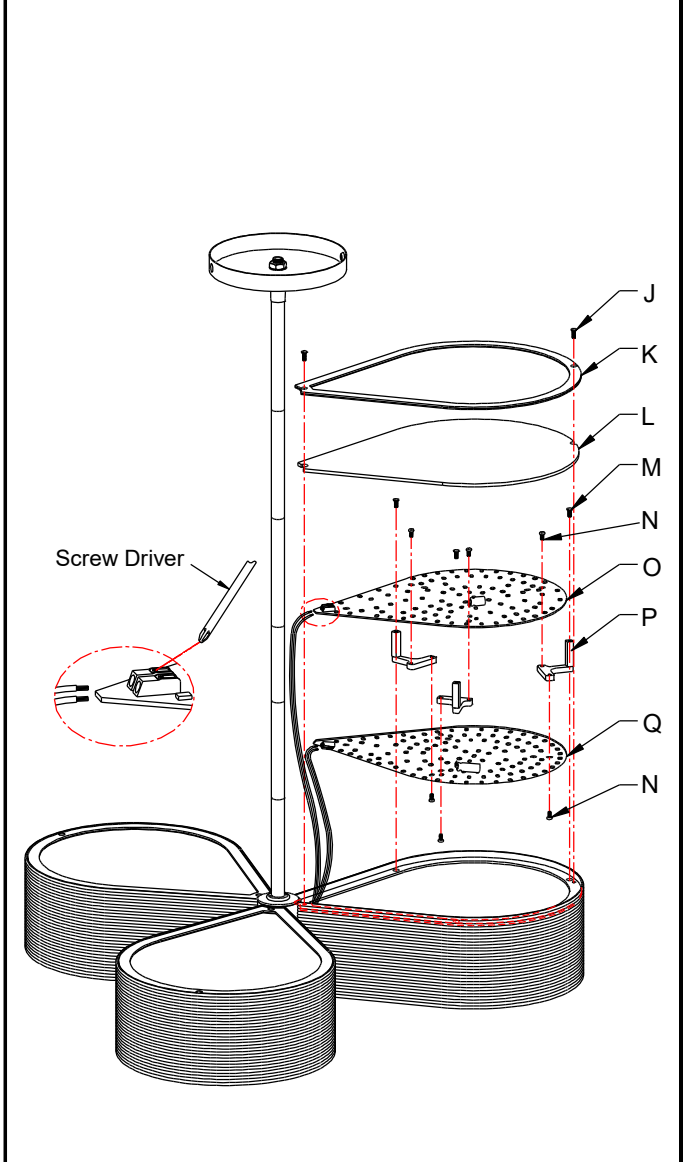
The LED module can be replaced by a qualified electrician without cutting of wire and without damage to any decorative element to which the fixture is attached. See installation steps for more details (Fig 3.)

- a. Shut off the power.
- b. Remove screws (E) and fixture body from mounting plate(A). Disconnect the wire connectors and place fixture body on a clean surface.
- c. Loosen the screws (J). Remove the iron plate (K) and glass panel (L).
- d. Press the button of the printed "L" quick connector on LED module (O) with screwdriver (not included) to disconnect the black wire, and then disconnect the white wire from the printed "N" quick connector on LED module (O).
- e. Remove screws (N). Carefully remove the LED module (O).
- f. Reverse steps b-e for installing the new LED module.

**Note: For steps a-f are only used to replace the upper part of the LED module (O) of fixture. If the lower part of the LED module(Q) of the fixture needs to be replaced, please refer to the following steps:**

- a. Shut off the power.
- b. Remove screws (E) and fixture body from mounting plate(A). Disconnect the wire connectors and place fixture body on a clean surface.
- c. Loosen the screws (J). Remove the iron plate (K) and glass panel (L).
- d. Press the button of the printed "L" quick connector on LED module (O) with screwdriver (not included) to disconnect the black wire, and then disconnect the white wire from the printed "N" quick connector on LED module (O).
- e. Remove screws (N). Carefully remove the LED module (O).
- f. Loosen the screws (M), then rotate holder (P) 90° on counter clockwise rotation, then take out the LED module (Q).
- g. Press the button of the printed "L" quick connector on LED module (Q) with screwdriver (not included) to disconnect the black wire, and then disconnect the white wire from the printed "N" quick connector on LED module (Q).
- h. Remove screws (N). Carefully remove the LED module (Q).
- i. Reverse steps b-h for installing the new LED module.

Fig. 3



**Dimmable with ELV and/or LED compatible wall dimmer switches.**

**Note: Illustration (Fig.1& Fig.3) on this manual is for installation purposes only. It may or may not be identical to the fixture purchased.**

**IMPORTANT: FIXTURE SHOULD BE INSTALLED BY A QUALIFIED ELECTRICIAN TO ENSURE PROPER WIRING AND INSTALLATION.**