

# INSTALLATION INSTRUCTIONS FOR P5501-691-L P5502-691-L

## For LED Wall Mount Fixture

**WARNING! SHUT POWER OFF AT FUSE OR CIRCUIT BREAKER.**  
**AVERTISSEMENT ! COUPER LE COURANT AU NIVEAU DES FUSIBLES OU DO DISJONCTEUR.**

### PREPARATION

1. Shut off power at the fuse box or circuit breaker box. If necessary remove the old fixture and mounting hardware.
2. Carefully unpack your new fixture and lay out all the parts on a clear area. Take care not to lose any small parts necessary for installation.

### CONNECTING JUNCTION BOX WIRES (FIG. 2)

3. Connect white input wire from the driver (A) to white wire from junction box. Connect black input wire from driver (A) to black wire from junction box and tuck driver (A) and connected wires carefully inside the junction box (Not included). (Note: To be installed with a 4" round or octagon junction box)

### MOUNTING THE FIXTURE (FIG. 1)

4. Secure mounting plate (B) to junction box using junction box screws (C) (Size: 8-32\*1/2"L). The side of mounting plate marked "GND" must face out.

### CONNECTING LED WIRES (FIG. 1)

5. Connect red output wire (marked output +) from driver to red LED wire (marked LED +) from led module. Connect black output wire (marked output -) from driver to black LED wire (marked LED -) from led module. Making sure that all wire connectors are secured. If your junction box has a ground wire (green or bare copper), connect the fixtures ground wire to it. Otherwise, connect the fixture ground wire directly to the mounting plate (B) using the green screw (D) provided.

### COMPLETING THE INSTALLATION (FIG. 1)

6. Align fixture (E) over mounting plate (B) and secure with screws (F).

Your installation is now complete. Return power to the junction box and test the fixture.

Fig.1

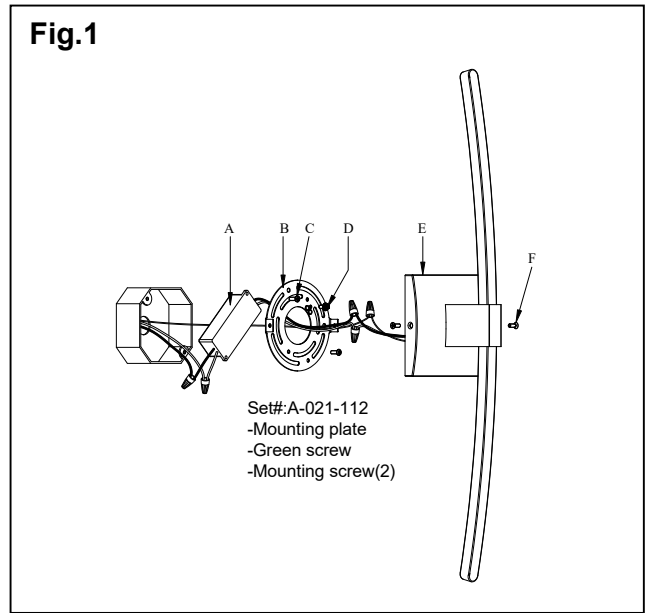
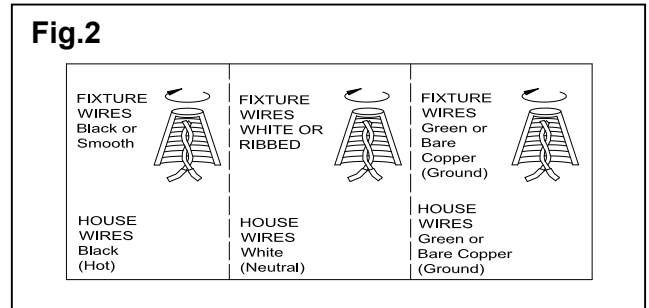


Fig.2



**IMPORTANT:** Fixture should be installed by a qualified electrician to ensure proper wiring and installation.

**Dimmable with ELV and/or LED compatible wall dimmer switches.**

