

INSTALLATION INSTRUCTIONS

Item#P5550/P5551-XXX-L (New. 2023/02/03)

READ AND SAVE THESE INSTRUCTIONS

WARNING! SHUT POWER OFF AT FUSE OR CIRCUIT BREAKER.

AVERTISSEMENT! COUPER LE COURANT AU NIVEAU DES FUSIBLES OU DU DISJONCTEUR.

PREPARATION (Fig.1)

1. Shut off power at the fuse box or circuit breaker box and remove the old fixture including the mounting hardware.
2. Carefully unpack your new fixture and lay out all the parts in a clean area. Take care not to misplace any small parts necessary for installation.
3. Position mounting plate (B) on the ceiling and mark the location of the two mounting holes. Drill the holes in the ceiling and insert plastic anchors (A).
4. Attach mounting plate (B) to the junction box (not included) using mounting screws (D) (Size: #8-32N*L0.5"). The side of mounting plate (B) marked "GND" must face out.
5. Secure mounting plate (B) by inserting wood screws (C) through the holes on mounting plate (B) into plastic anchors (A).

CONNECTING THE WIRES (Fig.2)

6. Connect the electrical wires as shown in Fig. 2, making sure that all wire connectors are secured. If your junction box has a ground wire (green or bare copper), connect the fixtures ground wire to it. Otherwise, connect the fixture ground wire directly to mounting plate (B) using the green screw provided. After wires are connected, tuck them carefully inside the junction box.

FINISHING THE INSTALLATION (FIG.1)

7. Secure fixture body (E) to mounting plate (B) using screws (F).

Your installation is now complete. Return power and test the fixture.

Note: Illustration (Fig.1) on this manual is for installation purposes only. It may or may not be identical to the fixture purchased.

Dimmable with ELV and/or LED compatible wall dimmer switches.

IMPORTANT: FIXTURE SHOULD BE INSTALLED BY A QUALIFIED ELECTRICIAN TO ENSURE PROPER WIRING AND INSTALLATION.

Fig. 1

Mounting Plate Set#:
A-010-240 for P5550-XXX-L
A-010-290 for P5551-XXX-L
-Mounting Plate
-Ground Screw
-Mounting Screw*2

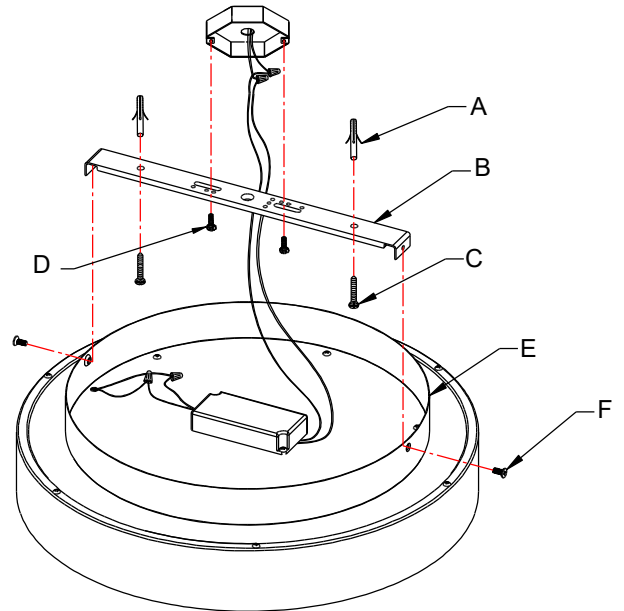
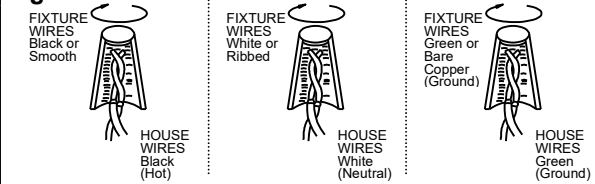


Fig. 2



LA-3615E



american lighting association