

INSTALLATION INSTRUCTIONS FOR P5570-44B/66A & P5571-44B/66A

WARNING! SHUT POWER OFF AT FUSE OR CIRCUIT BREAKER.

AVERTISSEMENT ! COUPER LE COURANT AU NIVEAU DES FUSIBLES OU DO DISJONCTEUR

PREPARING FOR INSTALLATION (Fig. 1)

1. Shut off power at the fuse box or circuit breaker box and remove the old fixture including the mounting hardware.
2. Carefully unpack your new fixture and lay out all the parts in a clear area. Take care not to misplace any small parts necessary for installation.

SUGGESTED INSTALLATION (Fig. 1 and Fig. 2)

3. Remove two mounting screws (E) from the side of canopy (D) and remove mounting plate (B).
4. Attach mounting plate (B) to the junction box (not included) with the two outlet box screws (C) provided.
5. Loosen allen screw (H) with allen wrench (F) provided, determine the designed height for hanging wire (I), then tighten allen screw (H) with allen wrench (F) provided.

CONNECTING THE WIRES (Fig. 2)

6. Connect the electrical wires as shown in Fig. 2, making sure that all wire connectors are secured. If your junction box has a ground wire (green or bare copper), connect the fixture's ground wire to it. Otherwise, connect the fixture's ground wire directly to mounting plate (B) using the green screw provided. Tuck the wire connections neatly into the junction box.

COMPLETING THE INSTALLATION (Fig. 1)

7. Attach canopy (D) to mounting plate (B) and secure it with mounting screws (E).
8. Install (1) one medium base bulb (K) up to 60 watts or CFL or LED equivalent (not included) to the socket (J).

Your installation is now complete. Return power to the junction box and test the fixture.

Fig.1

- set# A-021-114D
- Mounting plate
 - Ground screw
 - Mounting screws*2pcs

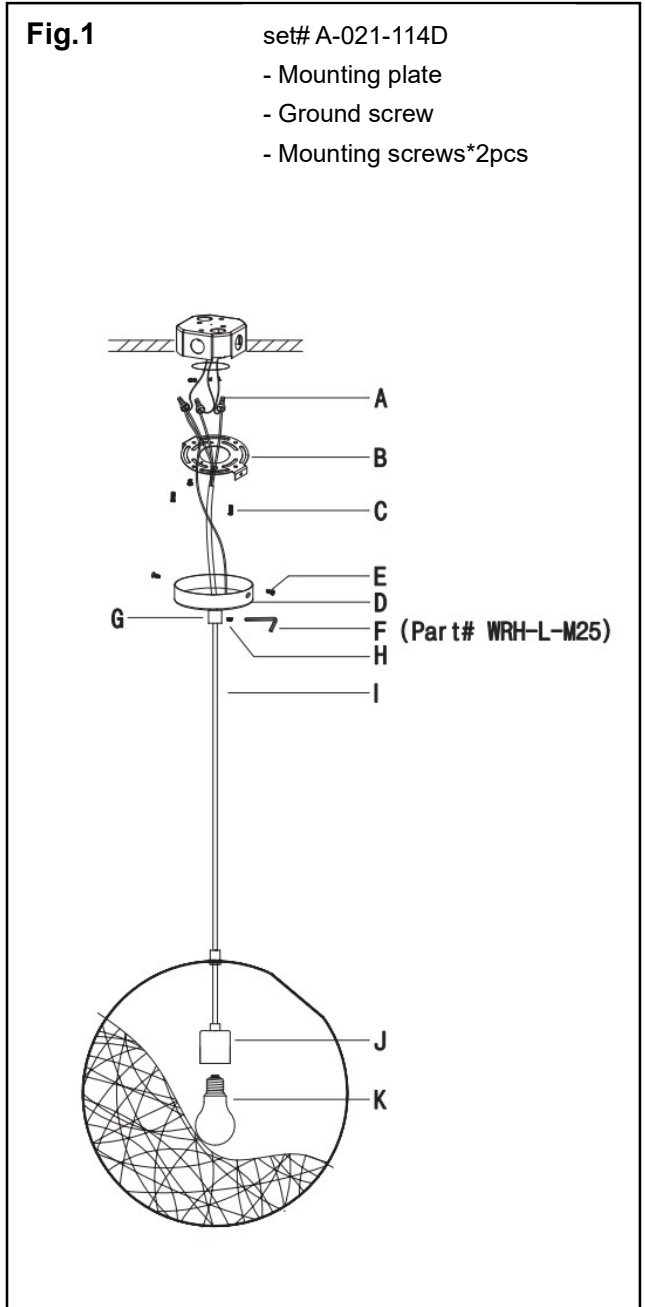


Fig. 2

