

INSTALLATION INSTRUCTIONS FOR P5601-884-L

For LED Pendant

READ AND SAVE THESE INSTRUCTIONS

WARNING! SHUT POWER OFF AT FUSE OR CIRCUIT BREAKER
AVERTISSEMENT! COUPER LE COURANT AU NIVEAU DES FUSIBLES OU DO DISJONCTEUR

ASSEMBLING THE FIXTURE (Fig.1)

1. Shut off power at the fuse box or circuit breaker. Remove the old fixture including the mounting hardware.
2. Carefully remove the fixture from the carton and check that all parts are included as show in Figure 1.
3. Unscrew screws (G) to remove mounting plate (A) from canopy (F). Position mounting plate (A) onto ceiling and mark the location of two plastic anchors (I). Pre-drill the holes for plastic anchors (I). Then insert plastic anchors (I) into ceiling. Attach mounting plate (A) to the junction box (not included) using the mounting screws (B, size 8#-32N 1"). The side of the mounting plate (A) marked "GND" must face out as shown in Fig.1. Secure mounting plate (A) by screwing wood screws (H) through the holes on mounting plate (A) into plastic anchors (I).
4. The length of the power cord can be adjusted by loosening set screw (E), then tighten set screw (E) to secure the cord.
5. The support cable is provided to support the weight of the fixture while wiring. Align the fixture to mounting plate (A) and attach hook (J) on the end of support cable (K) into a slot located on mounting plate (A). Carefully allow the support cable (K) to support the weight of the fixture while wiring (Fig.1).

CONNECTING THE WIRES (Fig. 2)

6. Connect the electrical wire as shown in Fig 2. Making sure that all wire connectors and secured. If your junction box has a ground wire (green or bare copper), connect the ground wire from the fixture to it. Otherwise connect fixture ground wire directly to mounting plate (A) using green screw (D) provided. Tuck the wire connections neatly into the junction box.

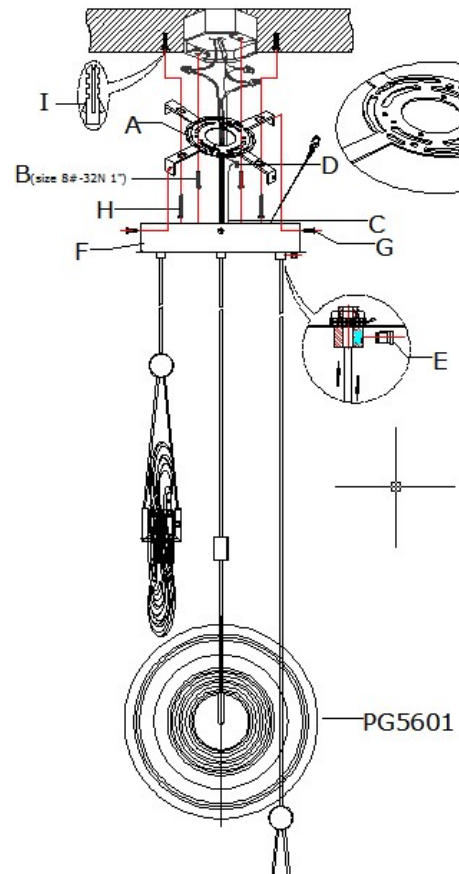
Your installation is now complete. Return power to the junction box and test the fixture.

CAUTION/ATTENTION: When handling the fixture, do not apply pressure to the LEDs. Hold the fixture by the frame only.

IMPORTANT: Fixtures should be installed by a qualified electrician to ensure proper wiring and installation.

Dimmable with ELV and/or LED compatible wall dimmer switches.

Fig 1



Set# A-020-225

-mounting plate

-Ground Screw

-Mounting Screw*4

-Glass#-PG5601

Fig 2

