

INSTALLATION INSTRUCTIONS

Item# P5612-66A (New. 19/12/2022)

READ AND SAVE THESE INSTRUCTIONS

WARNING! SHUT POWER OFF AT FUSE OR CIRCUIT BREAKER.

AVERTISSEMENT! COUPER LE COURANT AU NIVEAU DES FUSIBLES OU DU DISJONCTEUR.

PREPARATION (Fig. 1)

1. Shut off power at the fuse box or circuit breaker box and remove the old fixture including the mounting hardware.
2. Carefully unpack your new fixture and lay out all the parts in a clean area. Take care not to misplace any small parts necessary for installation.
3. Loosen screw (D) to remove circular strap (B).
4. Attach circular strap (B) to Junction box (Not included) using mounting screws (A) (Size: #8-32N*L1"). The side of the circular strap (B) marked "GND" must face out.

CONNECTING THE WIRES (Fig. 2)

5. Connect the electrical wires as shown in (Fig.2). Making sure that all wire connectors are secured. If your junction box has a ground wire (green or bare copper), connect fixture's ground wire to it. Otherwise, connect fixture's ground wire directly to circular strap (B) using green screw provided.
6. Tuck wire connectors neatly into the junction box.

COMPLETING THE INSTALLATION (Fig. 1)

7. Place the fixture body (E) onto the circular strap (B) and secure with Fixture screw (D).
8. Place glass (F) over socket (E) and secure with socket ring (G).
9. Install (3) three medium base bulbs (H) up to 100 watts each or CFL or LED equivalent (not included) in accordance with the fixture specification — **DO NOT EXCEED THE MAXIMUM WATTAGE RATING! (NE PAS DEPASSER LA PUISSANCE NOMINALE MAXIMALE!)**.

Your installation is now complete. Return power to the junction box and test the fixture.

Note: Illustration (Fig. 1) on this manual is for installation purposes only. It may or may not be identical to the fixture purchased.

Fig. 1

Set# A-022-130D

- Circular Strap*1
- Ground Screw*1
- Mounting Screw*2

Glass#PG5610

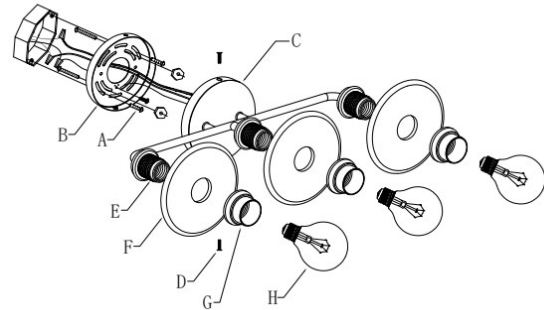


Fig. 2

