

# INSTALLATION INSTRUCTIONS

Item#P563-144A

READ AND SAVE THESE INSTRUCTIONS

**WARNING! SHUT POWER OFF AT FUSE OR CIRCUIT BREAKER.**

**AVERTISSEMENT! COUPER LE COURANT AU NIVEAU DES FUSIBLES OU DU DISJONCTEUR.**

## WARNING

- Risk of shock, do not supply power to fixture before assembly is complete.
- Do not exceed the maximum wattage rating

## MOUNTING INSTRUCTIONS

1. Shut off power at the circuit breaker and remove the old fixture and Mounting Hardware.
2. Carefully unpack your new fixture and lay out all the parts on a clear area. Take care not to lose any small parts necessary for installation.
3. Fasten the threaded rod (A) into the center hole of Crossbar (C).
4. Secure Crossbar (C) using Screws (B) to the Outlet Box. The side of the Crossbar marked "GND" must face out.

## CONNECTING THE WIRES (Fig. 1)

5. Connect the electrical wires as shown in Fig. 1, making sure that all wire connectors (D) are secured. If your outlet has a ground wire (green or bare copper), connect the fixture's Ground Wire to it. Otherwise, connect the fixture's Ground Wire directly to the Circular Strap or Reinforcement Plate using the Green Screw provided.

## FINISHING THE INSTALLATION

6. Place fixture body (F) onto threaded rod (A) and secure it tightly using Cap Nut (G).
7. Install 2\*40w T10 Light Bulbs in accordance with the lamp's specifications. **(DO NOT EXCEED THE MAXIMUM WATTAGE RATING!). (NE PAS DEPASSER LA PUISSANCE NOMINALE MAXIMALE!)**
8. Place glass (H) onto decorative plate (I). Fasten glass (H) to decorative plate (I) with cap nuts (J).
9. Fasten (H) & (I) to fixture body (F) using screws (E). Be careful not to over tighten.

Your installation is now complete. Return power and test the fixture.

**Note:** Illustration (Fig.1) on this manual is for installation purposes only. It may or may not be identical to the fixture purchased.

**\*\*\*Caution, to avoid being burned, wait for the fixture to cool, prior to replacing the light bulbs. \*\*\***

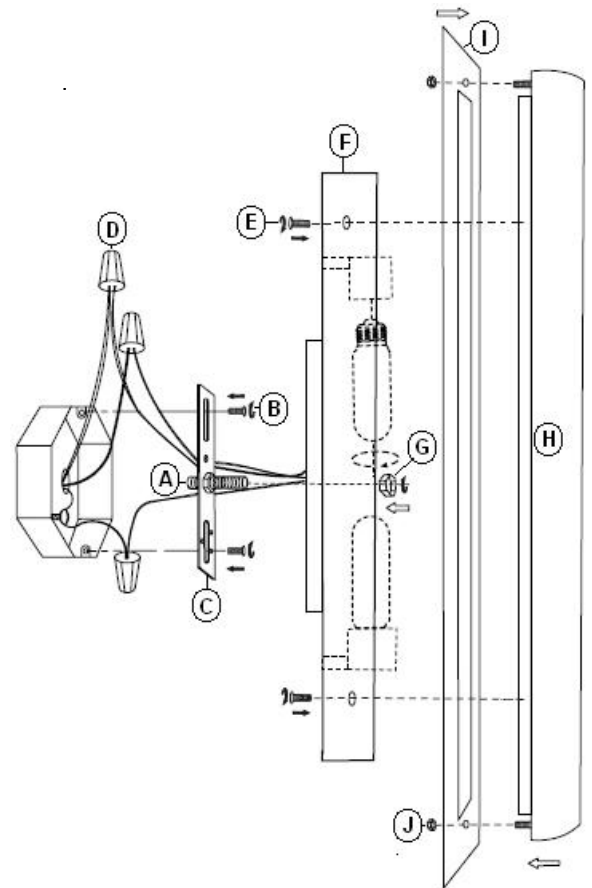
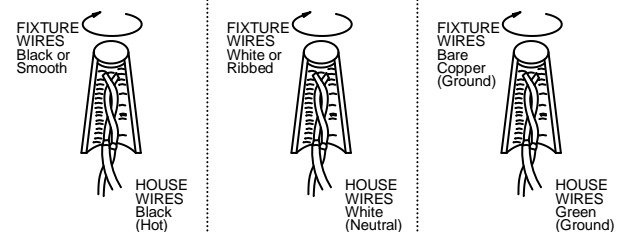


Fig. 1



**IMPORTANT: FIXTURE SHOULD BE INSTALLED BY A QUALIFIED ELECTRICIAN TO ENSURE PROPER WIRING AND INSTALLATION.**