

INSTALLATION INSTRUCTIONS FOR FIXTURE #P5711-084

WARNING! SHUT POWER OFF AT FUSE OR CIRCUIT BREAKER.
AVERTISSEMENT! COUPER LE COURANT AU NIVEAU DES FUSIBLES OU DU DISJONCTEUR.

ASSEMBLING THE FIXTURE (FIG. 1)

1. Shut off the power supply at the fuse box or circuit breaker. If necessary, remove the old fixture from ceiling including the mounting hardware.
2. Carefully remove the new fixture from the packaging and check that all parts are included as shown in the illustration.
3. Determine the desired hanging height and thread tube (H) to the nipple (I) on top of the fixture body. Pass the wires carefully through each tube as you assemble.
4. Using quick link (G) hang fixture via loops (F) on bottom of canopy (D) and top of the tube (H).
5. Place the metal shade (K) and glass shade (L) over the socket (J), then secure with spacer (M) and socket ring (SKT-RING-26) tightly, the plastic wrench (O) provided in the box.
6. Install the bulb in accordance with the fixture's specifications. **(DO NOT EXCEED THE MAXIMUM WATTAGE RATING!)**
(NE PAS DEPASSER LA PUISSANCE NOMINALE MAXIMALE!).

MOUNTING THE FIXTURE (Fig. 1)

7. Attach the mounting plate (A) to the outlet box using the outlet box screws (B). The side of the mounting plate (A) marked "GND" must face out.
8. Connect the electrical wires as shown in Fig. 2, making sure that all wire connectors are secured. If your outlet box has a ground wire (green or bare copper), connect the ground wire from the fixture to it. Otherwise, connect the fixture's ground wire directly to the mounting plate using the green screw provided.
9. After wires are connected, tuck them carefully into the ceiling junction box.
10. Attach the fixture body onto the mounting plate (A) by protruding 2 mounting screws (C) through the mounting holes of the canopy (D) and secure with the ball nuts (E).

Your installation is now complete. Return power to the outlet box and test the fixture.

Fig.1

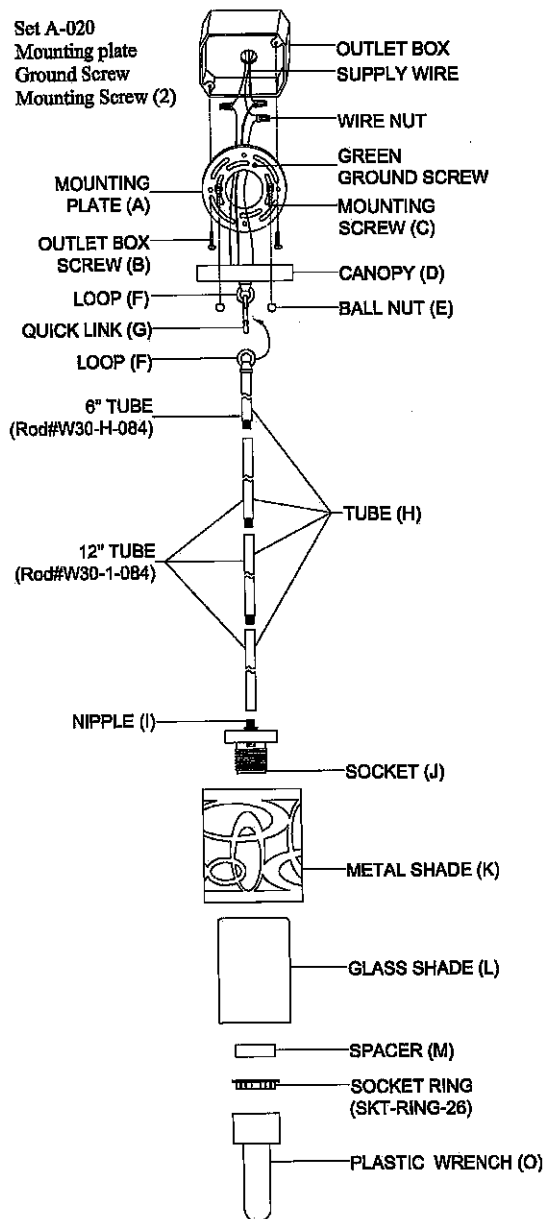
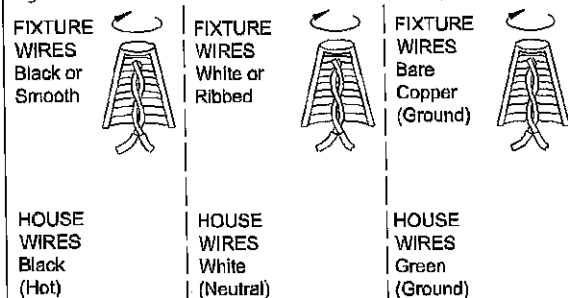


Fig. 2



UL
 LISTED

american
 lighting
 association

I/M
 FINAL 3/10/16