

# INSTALLATION INSTRUCTION FOR FIXTURE #P5713-084

**WARNING! SHUT POWER OFF AT FUSE OR CIRCUIT BREAKER.**  
**AVERTISSEMENT! COUPER LE COURANT AU NIVEAU DES FUSIBLES OU DU DISJONCTEUR.**

## MOUNTING THE FIXTURE (FIG. 1)

1. Shut off the power supply at the fuse box or circuit breaker. If necessary, remove the old fixture from wall. Including the mounting hardware.
2. Carefully remove the new fixture from the carton and check that all parts are included as shown in the illustration.
3. Lift the mounting plate (B) to outlet box so that the screw holes in outlet box line up with slots on the mounting plate (B). Mark spots at outer keyholes for the plastic anchors (A) to be installed.
4. Drill pilot holes on the marked spots and insert plastic anchors (A).
5. Attach the mounting plate (B) to the outlet box using the two outlet box screws (D). The side of the mounting plate marked "GND" must face out. MIN 90 °C SUPPLY CONDUCTORS.
6. Attach ends of the mounting plate (B) to plastic anchors (A) and secure with two wood screws (E).

## CONNECTING THE WIRES (FIG. 2)

7. At this point, connect the electrical wires as shown in Fig. 2, making sure that all wire nuts are secured. If your outlet box has a ground wire (green or bare copper), connect the fixture's ground wire to it. Otherwise, connect the fixture's ground wire directly to the mounting plate using the green screw provided.
8. Tuck the wire connections neatly into the wall outlet box.

## ASSEMBLE THE FIXTURE (FIG. 1)

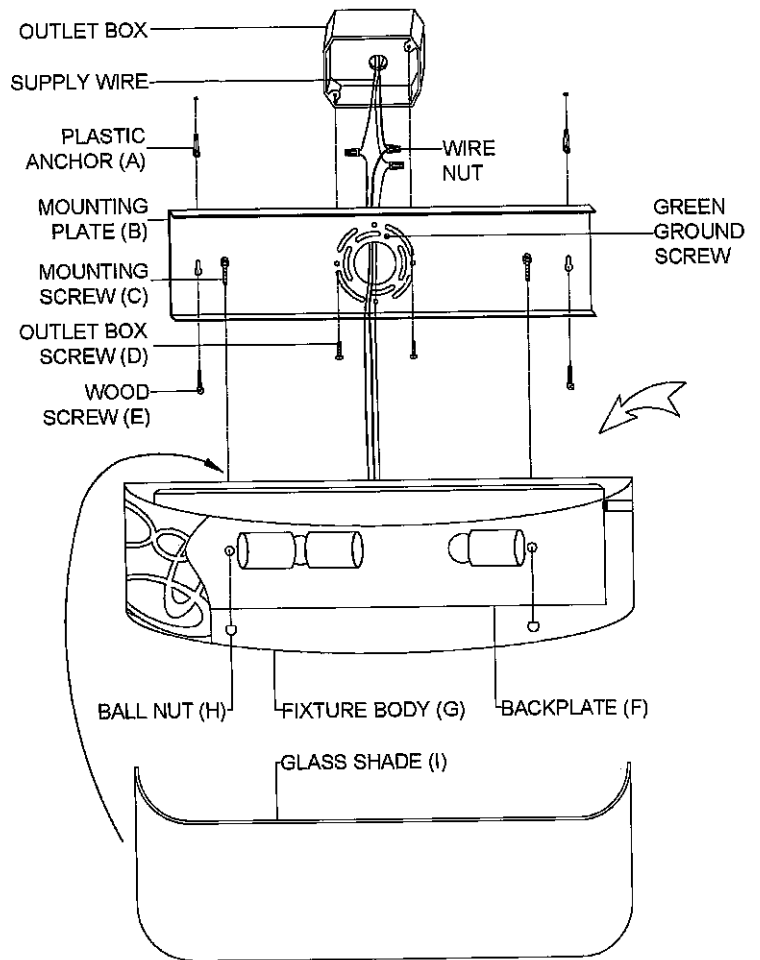
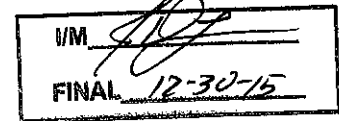
9. Attach the fixture body (G) onto the mounting plate (B) by protruding 2 mounting screws (C) through the mounting holes of the backplate (F) and secure with the ball nuts (H).
10. Place the glass shade (I) into the fixture body (G) and secure with the metal clips.
11. Install the bulbs in accordance with fixture's specifications. **(DO NOT EXCEED THE MAXIMUM WATTAGE RATING!) (NE PAS DEPASSER LA PUISSANCE NOMINALE MAXIMALE!).**

Your installation is now complete. Return power to the junction box and test the fixture.



**Fig.1**

- Mounting plate
- Ground screw
- Mounting screws (2)
- Plastic anchor (2)
- Wood screw (2)



**Fig.2**

