

INSTALLATION INSTRUCTIONS

For Models # P5770-084

WARNING! SHUT POWER OFF AT FUSE OR CIRCUIT BREAKER.
AVERTISSEMENT! COUPER LE COURANT AU NIVEAU DES FUSIBLES OU DU DISJONCTEUR.

MOUNTING THE FIXTURE (Fig. 1)

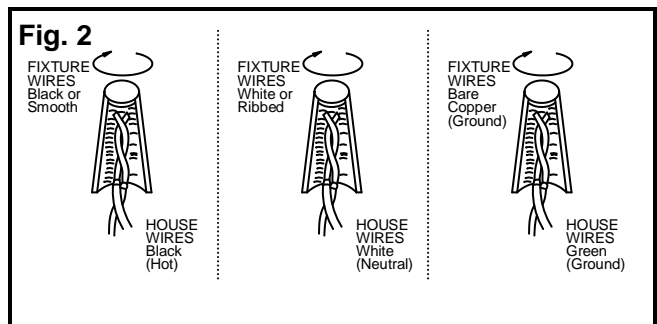
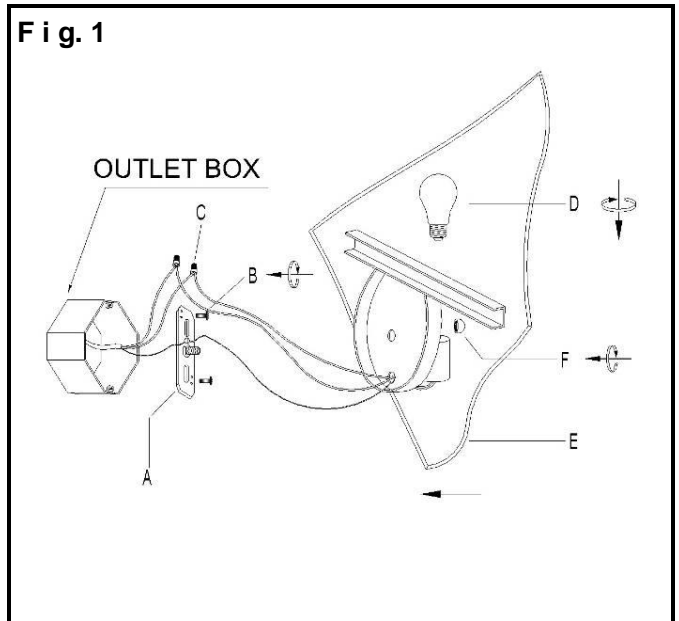
1. Shut off power at the circuit breaker and remove old fixture from wall including the crossbar.
2. Carefully remove the fixture from the carton on a clear area, and check that all parts are included as shown in the illustration.
3. Take Cap Nut(F) out of Lamp Body (E) from Fixture body. Secure Crossbar(A) using Mounting Screws(B) to the Outlet Box. (Green screw must be faced out).

CONNECTING THE WIRES (Fig. 2)

4. Connect the electrical wires as shown in Fig. 2, making sure that all wire connectors(C) are secured. If your outlet has a ground wire (green or bare copper), connect the fixture Ground Wire to it. Otherwise, connect the fixture's Ground Wire directly to the Circular Strap or Reinforcement Plate using the Green Screw provided.

FINISHING THE INSTALLATION (Fig. 1)

5. Place Lamp Body (E) onto Secure Crossbar (A) and secure tightly using Cap Nut (F).
6. **Install the Light Bulb(D) in accordance with the fixture's specifications. DO NOT EXCEED THE MAXIMUM WATTAGE RATING.(NE PAS DEPASSER LA PUISSANCE NOMINALE MAXIMALE!)**



Your installation is now complete. Return power to the junction box and test the fixture.

IMPORTANT: FIXTURE SHOULD BE INSTALLED BY A QUALIFIED ELECTRICIAN TO ENSURE PROPER WIRING AND INSTALLATION.