

INSTALLATION INSTRUCTIONS

For Models # P5803-077 (Revised Date: March, 2011)

WARNING! SHUT POWER OFF AT FUSE OR CIRCUIT BREAKER.

AVERTISSEMENT! COUPER LE COURANT AU NIVEAU DES FUSIBLES OU DU DISJONCTEUR.

WARNING

- Risk of shock, do not plug in the unit before assembly.
- Do not exceed the maximum wattage rating.

MOUNTING THE FIXTURE (Fig. 1)

1. Shut off power at the circuit breaker and remove the old fixture including the mounting hardware.
2. Carefully remove the fixture from the carton and check that all parts are included as shown in the illustration.
3. Remove mounting screws (G) from lamp body (F). Secure dry-wall anchors (A) into the wall. Use the mounting bracket (B) as your template when installing the drywall anchors. Secure mounting bracket (B) using mounting screws (D) and wood screws (C) to the outlet box. The side of the mounting bracket labeled "GND" must face out.

CONNECTING THE WIRES (Fig. 2)

4. Connect the electrical wires as shown in Fig. 2, making sure that all wire connectors (E) are secured. If your outlet has a ground wire (green or bare copper), connect the fixture's ground wire to it. Otherwise, connect the fixture's ground wire directly to the mounting plate using the green screw provided.

FINISHING THE INSTALLATION (Fig. 1)

5. Place lamp body (F) onto mounting bracket (B) and secure with screws (G).
6. Install the 3-40W Xenon Bulbs (I) in accordance with the fixture's specifications. **(DO NOT EXCEED THE MAXIMUM WATTAGE RATING). (NE PAS DEPASSER LA PUISSANCE NOMINALE MAXIMALE!)**
7. Place the glass shade (J) on the lamp body (H). Place the silicone ring (K) between the lamp body (H) and glass shade (J). Use the aluminum cube (L) to fix the glass shade to the lamp body by turning clockwise. Repeat step 7 for each glass shade

Your installation is now complete. Return power to the junction box and test the fixture.

IMPORTANT: FIXTURE SHOULD BE INSTALLED BY A QUALIFIED ELECTRICIAN TO ENSURE PROPER WIRING AND INSTALLATION.

Fig. 1

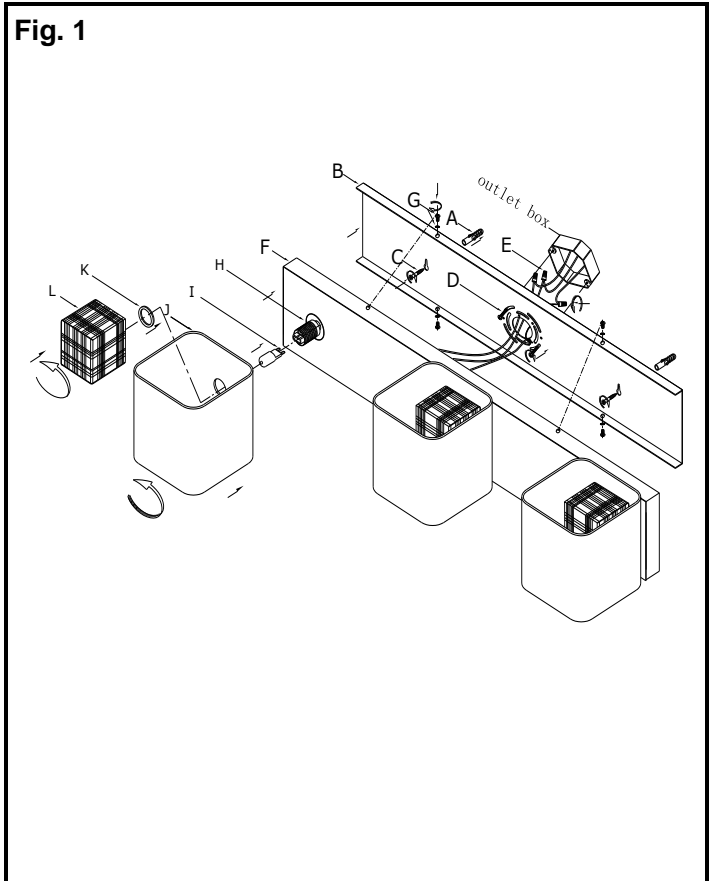


Fig. 2

