

INSTALLATION INSTRUCTIONS

Item#P7982-077 (New. 03/01/2013)

READ AND SAVE THESE INSTRUCTIONS

WARNING! SHUT POWER OFF AT FUSE OR CIRCUIT BREAKER.

AVERTISSEMENT! COUPER LE COURANT AU NIVEAU DES FUSIBLES OU DU DISJONCTEUR.

HANGING THE FIXTURE (Fig. 1)

1. Carefully remove the fixture from the carton and check that all parts are included as shown in the illustration.
2. Shut off power at the circuit breaker and remove the old fixture including the mounting hardware.

SUGGESTED INSTALLATION (Fig. 1)

3. Align mounting plate (B) to the junction box and, mark the location of the dry wall anchors (E). Pre-drill the holes for the drywall anchors and insert the anchors into the wall.
4. Attach the mounting plate (B) to the junction box with junction box screws (F) and mounting screws (A) (Size: #8-32N*L0.5") as shown in Fig. 1.

CONNECTING THE WIRES (Fig. 2)

5. At this point, connect the electrical wires as shown in figure 2, making sure that all wire connectors are secured. If your outlet has a ground wire (green or bare copper), connect the fixture ground wire to it. Otherwise, connect the fixture ground wire directly to the mounting plate with the green screw provided. After wires are connected, tuck them carefully into the ceiling junction box.

COMPLETING THE INSTALLATION (Fig. 1)

6. Align the lamp body over the mounting plate (B) and secure with screws (C) (Size: #8-32N*L0.4").
7. Install the light bulb (not included) in accordance with the fixture's specifications. **(DO NOT EXCEED THE MAXIMUM WATTAGE RATING!) (NE PAS DEPASSER LA PUISSANCE NOMINALE MAXIMALE!)**
8. Slide glass (D) into the lamp shade.

Your installation is now complete. Return power to the junction box and test the fixture.

Note: Illustration (Fig. 1) on this manual is for installation purposes only. It may or may not be identical to the fixture purchased.

Notice:

Due to techniques used in manufacturing of this product, small tooling marks may be visible on the outside of the shade where it is attached to the support frame. All products are inspected to ensure they adhere to our quality

Fig. 1

Set# A-021-300155

- Mounting plate
- Ground screw
- Mounting Screw*2

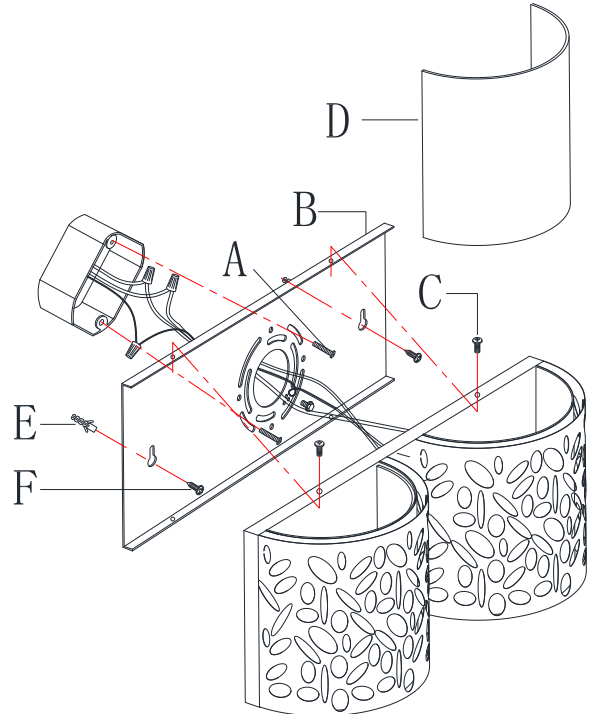
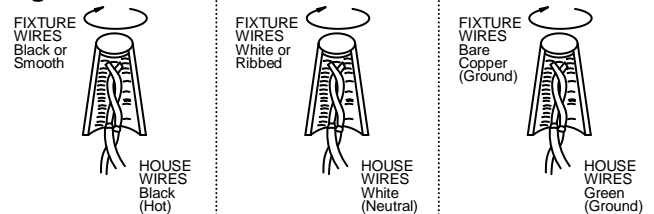


Fig. 2



IMPORTANT: FIXTURE SHOULD BE INSTALLED BY A QUALIFIED ELECTRICIAN TO ENSURE PROPER WIRING AND INSTALLATION.

