

INSTALLATION INSTRUCTIONS

05/10/2012

READ AND SAVE THESE INSTRUCTIONS

WARNING! SHUT POWER OFF AT FUSE OR CIRCUIT BREAKER.
AVERTISSEMENT! COUPER LE COURANT AU NIVEAU DES FUSIBLES OU DU DISJONCTEUR.

HANGING THE FIXTURE (Fig. 1)

1. Carefully remove the fixture from the carton and check that all parts are included as shown in the illustration.
2. Shut off power at the circuit breaker and remove old fixture including mounting hardware.
3. Determine length desired and thread Bars (F) to Canopy (D) and Fixture Body (G).
4. Find the pair of holes on the Circular Strap (A) that match the hole spacing in the fixtures Canopy (D) and thread the Studs (C) 1/4" into the Circular Strap (A).
5. Attach the Circular Strap (A) to the Outlet box using Junction Box Screws (B). The side of the Circular Strap with "GND" must face out.

CONNECTING THE WIRES (Fig. 2)

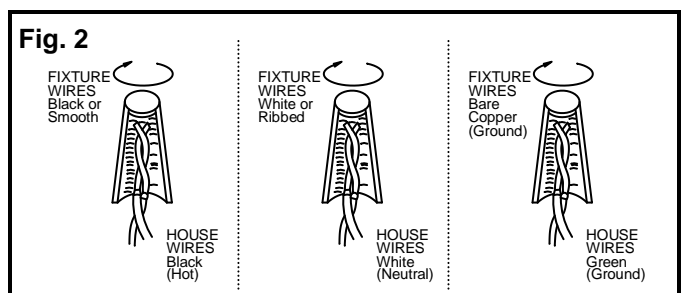
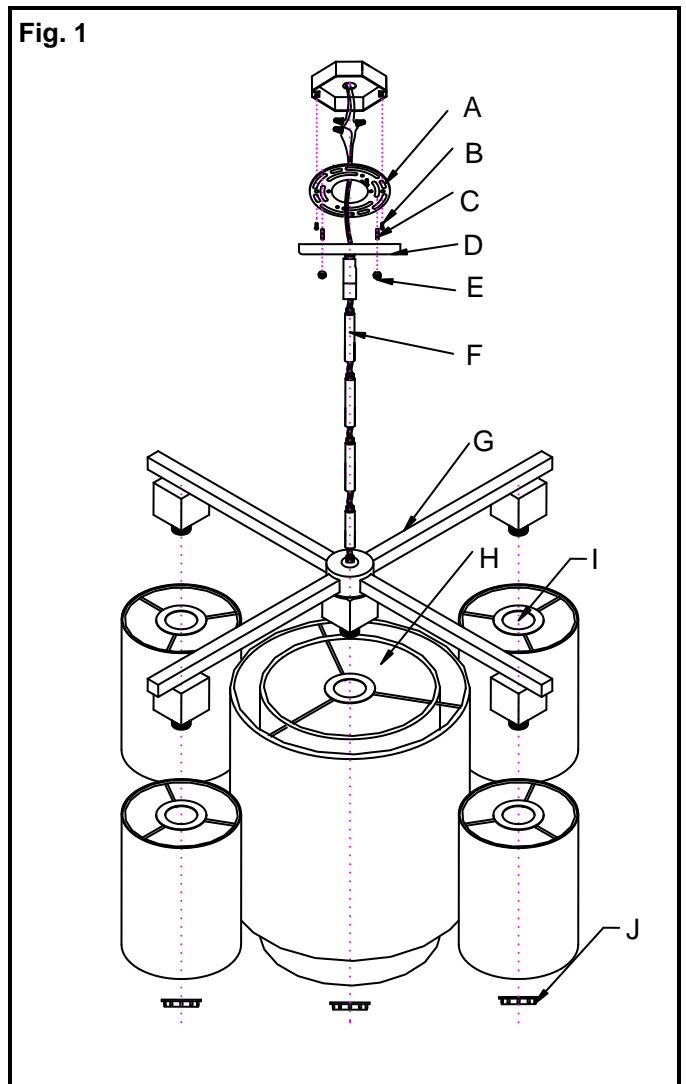
6. At this point, connect the electrical wire as shown in (Fig.2), making sure that all wire connectors are secured. If your outlet has a ground wire (green or bare copper), connect the fixture's ground wire to it. Otherwise, connect the fixture ground wire directly to the circular strap using the green screw provided.

FINISHING THE INSTALLATION (Fig.1)

7. Place the Canopy (D) onto the Studs (C). Secure Canopy against ceiling with Knurled Knobs (E).
8. Place the Large Shade (H) and Small Shades (I) over the sockets shown in Fig.1, then secure with Screw Shell (J) tightly.
9. Install the light bulb in accordance with the fixture's specifications. **(DO NOT EXCEED THE MAXIMUM WATTAGE RATING!!) (NE PAS DEPASSER LA PUISSANCE NOMINALE MAXIMALE!)**

Your installation is now complete. Return power to the junction box and test the fixture.

Note: Illustration (Fig.1) on this manual is for installation purposes only. It may or may not be identical to the fixture purchased.



IMPORTANT: FIXTURE SHOULD BE INSTALLED BY A QUALIFIED ELECTRICIAN TO ENSURE PROPER WIRING AND INSTALLATION.

