

# INSTALLATION INSTRUCTIONS

05/10/2012

## READ AND SAVE THESE INSTRUCTIONS

**WARNING! SHUT POWER OFF AT FUSE OR CIRCUIT BREAKER.**

**AVERTISSEMENT! COUPER LE COURANT AU NIVEAU DES FUSIBLES OU DU DISJONCTEUR.**

### ASSEMBLING THE FIXTURE (Fig. 1)

1. Shut off power at the circuit breaker and remove old fixture from ceiling, including the mounting hardware.
2. Carefully unpack your new fixture and lay out all the parts on a clear area. Take care not to lose any small parts necessary for installation.
3. Adjust Cable (I) according to the desired distance from ceiling to hang fixture. Push the button at the outside face of the Canopy (G) for each cable to extend Cable (G) at location (1). Pulling the Cable (I) without pushing the button can restrict the Cable (I). Tightly secure each Cable (I) with Strain Relief Bushing (F) by loosening both screws from Strain Relief Bushing (F), adjust to desired length, making sure Cables (I) are leveled and then secure the screws. Cut Cable (I) to length if necessary.
4. Determine desired distance from ceiling to hang the fixture, and if necessary, cut Cord (A) to length plus six inches. Run the Wired Cord (A) through the Cap Nut (H), Canopy (G), and Nipple. Then feed several inches of the cord end through the middle hole in the Crossbar (D).
5. Install the Strain Relief Bushing (B) by unscrewing the Screw (C) and pushing the cord through the center of both parts until about 6" of cord is exposed. Tighten screw from the Strain Relief Bushing (B). (You may need someone to hold the fixture while installing the Strain Relief Bushing.) The fixture can now hang from the Strain Relief Bushing (B).
6. Carefully cut and remove approximately 4" of the outer sheathing from cord and strip 1/2" of the wire ends bare to expose the copper strands.

### CONNECTING THE WIRES (Fig. 2)

7. At this point, Connect the electrical wires as shown in Fig. 2, making sure that all wire connectors are secured. If your outlet box has a ground wire (green or bare copper), connect the fixture's Ground Wire to it. Otherwise, connect the fixture's Ground Wire directly to the crossbar using the Green Screw provided.

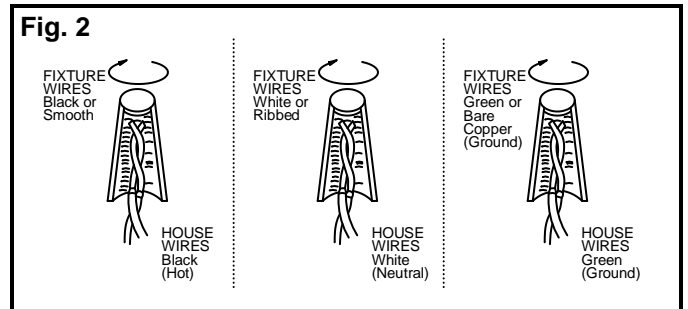
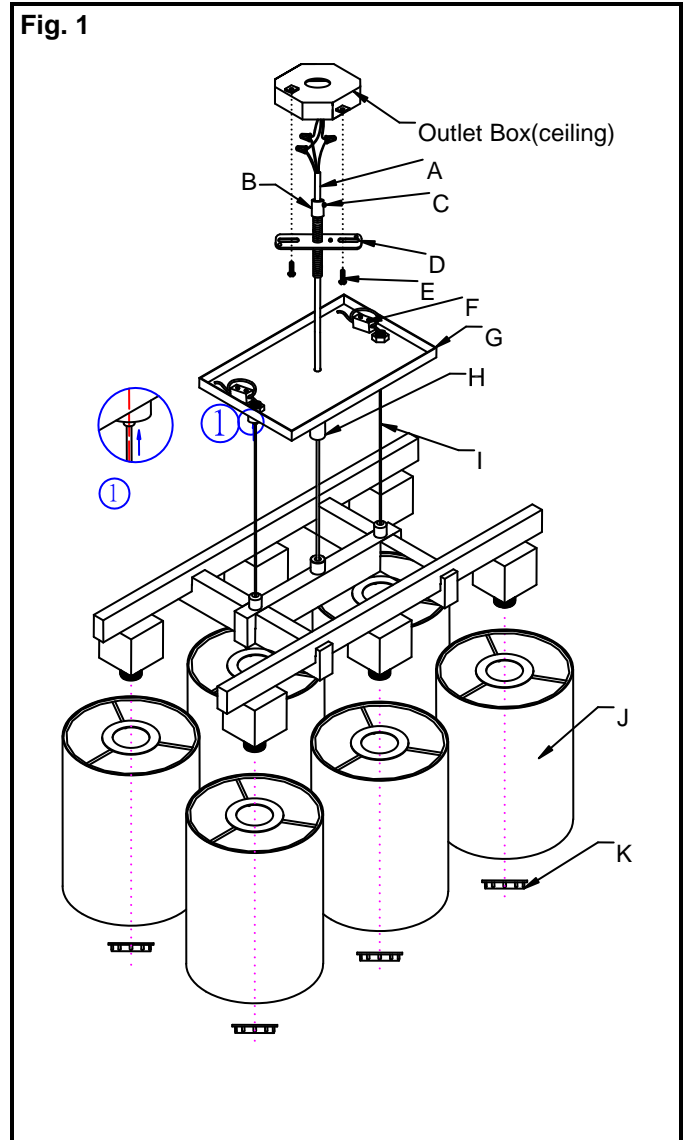
### FINISH THE INSTALLATION

8. Attach the Crossbar (D) to the Outlet box in the ceiling with two screws (E). The side of the Crossbar with "GND" marked on it must face out.
9. Slip the Canopy (G) and Cap Nut (H) up to the ceiling and lock in place by threading the Cap Nut (H) onto the Nipple.
10. Place the Shade (J) over socket and secure with Screw Shell (K).
11. Install Light bulbs in accordance with the fixture's specifications. **(DO NOT EXCEED THE MAXIMUM WATTAGE RATING). (NE PAS DEPASSER LA PUISSANCE NOMINALE MAXIMALE!)**

Your installation is now complete. Return power to the outlet box and test fixture.

**Note: Illustration (Fig.1) on this manual is for installation purposes only. It may or may not be identical to the fixture purchased.**

**IMPORTANT: FIXTURE SHOULD BE INSTALLED BY A QUALIFIED ELECTRICIAN TO ENSURE PROPER WIRING AND INSTALLATION.**



LA-1120E